



# Minidor 3 Wheeler (4+D)

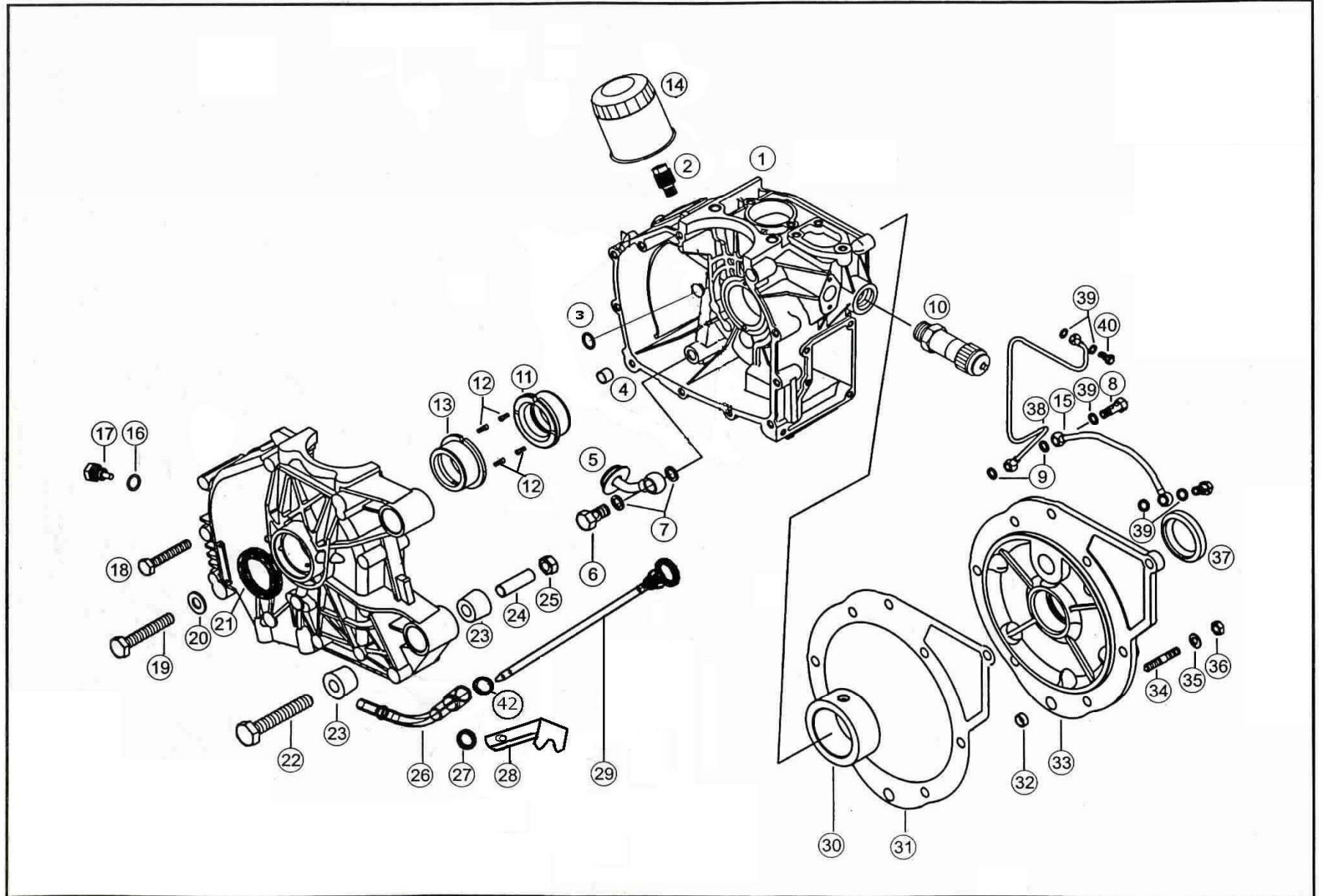
## Spare Parts Catalogue

(LHD VERSION)

(with TD 499 LC IDI Diesel Engine)

# INDEX

| Sr No. | Group Description                                  | Page No. | Sr No. | Group Description                            | Page No. |
|--------|--|----------|--------|--|----------|
| 1      | Index  | 2        | 21     | Gear Shifting Mechanism                      | 41       |
| 2      | Crank Case   | 3        | 22     | Gear Change Mechanism                        | 43       |
| 3      | Cylinder Head Assembly                             | 5        | 23     | Speedo drive & Clutch release mechanism      | 45       |
| 4      | Cylinder Block Assembly                            | 7        | 24     | Chassis Frame & Mountings                    | 47       |
| 5      | Crank Shaft Assembly                               | 9        | 25     | Front Axle                                   | 49       |
| 6      | Piston & Connecting rod Assembly                   | 11       | 26     | Rear Axle                                    | 51       |
| 7      | Camshaft, rocker arm & Valves                      | 13       | 27     | Front Suspension                             | 53       |
| 8      | Oil Pump Assembly                                  | 15       | 28     | Rear Suspension                              | 55       |
| 9      | Mechanical Governer & Injection Pump control lever | 17       | 29     | Hanging Pedals                               | 57       |
| 10     | Throttle Remote Control & Extra Fuel Stop Device   | 19       | 30     | Tandom Master Cylinder ( KBX)                | 59       |
| 11     | Fuel Injection System                              | 21       | 31     | Brake Bundy Tube Layout ( KBX)               | 61       |
| 12     | Water Pump & Idler Pulley                          | 23       | 32     | Brake Assembly Front & Rear ( KBX)           | 63       |
| 13     | Engine Cooling System - A/R                        | 25       | 33     | Hand Brake Assembly                          | 65       |
| 14     | Intake System A/R                                  | 27       | 34     | Steering Assembly - Rack & Pinion            | 67       |
| 15     | Exhaust System                                     | 29       | 35     | Fuel System ( Fuel Tank & Fuel Filter) - A/R | 69       |
| 16     | Clutch Assembly                                    | 31       | 36     | Starter Motors & Alternator                  | 71       |
| 17     | Gear Box Housing                                   | 33       | 37     | Electrical Assembly                          | 73       |
| 18     | Main Shaft Assembly                                | 35       | 38     | Dashboard Instruments                        | 75       |
| 19     | Lay Shaft Asembly                                  | 37       | 39     | Mindor Body Assembly                         | 77       |
| 20     | Differential housing & Gears                       | 39       | 40     | Seats & Frames                               | 79       |



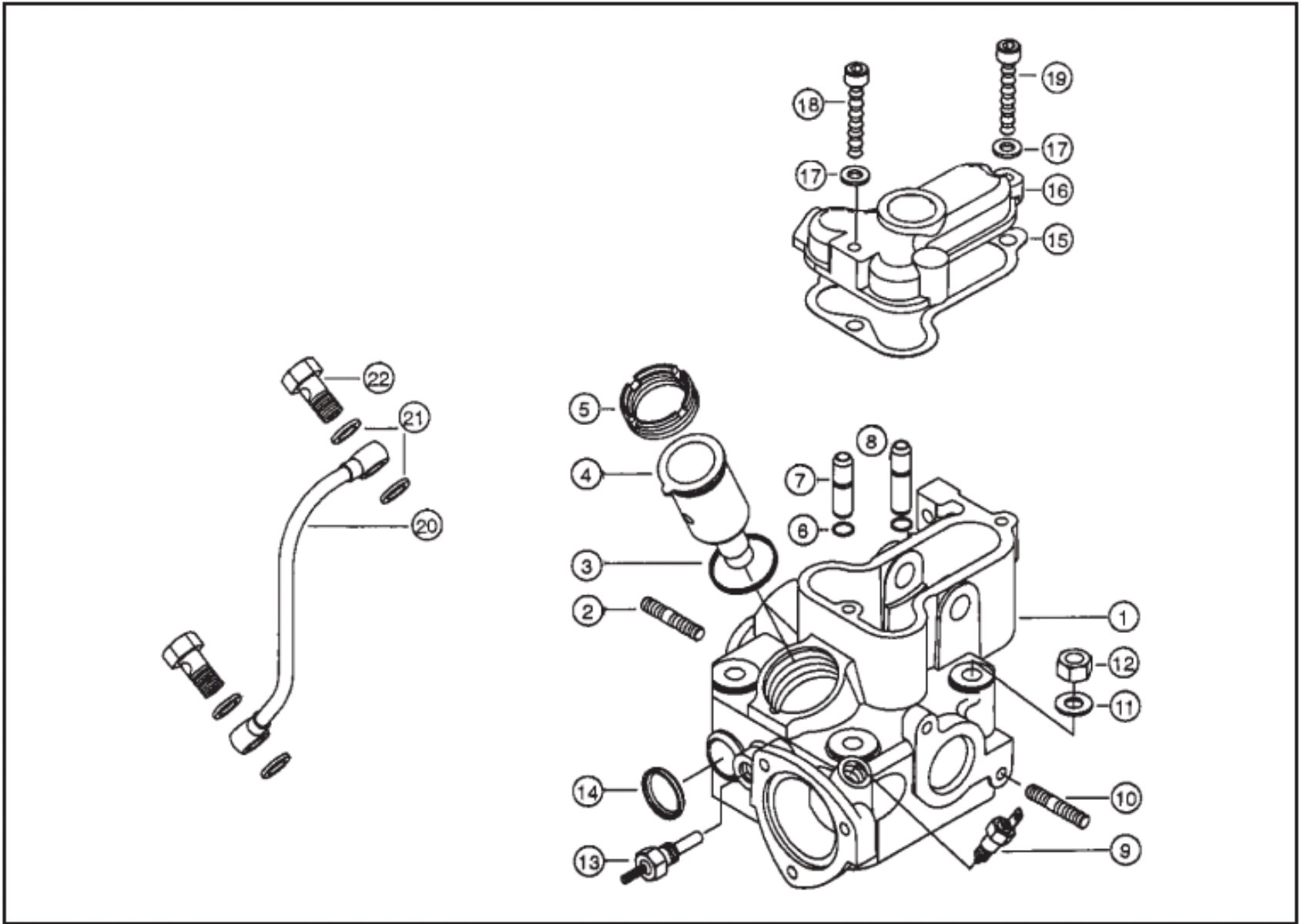
| CRANKCASE |               |   |      | Diagram No-1 |               |                                    |      |
|-----------|---------------|---|------|--------------|---------------|------------------------------------|------|
| Fig No.   | Part Code     | Description                                 | Qty. | Fig No.      | Part Code     | Description                        | Qty. |
| 1         | B008030105205 | Crank Case Complete (with Flywheel Magneto) | 1    | 25           | C913004010008 | Nyloc Nut M10 x 8                  | 2    |
| 2         | B008031840173 | Threaded bush                               | 1    | 26           | B008030100316 | Guide Tube                         | 1    |
| 3         | B008039970245 | O'ring (Positive Lub. System)               | 1    | 27           | A000049972981 | Rubber Grommet                     | 1    |
| 4         | B008030150475 | Dowel (Dia. 12)                             | 2    | 28           | B008030180440 | Holder for Guide Tube              | 1    |
| 5         | B008031800580 | Oil Suction Tube                            | 1    | 29           | B008030100572 | Dip Stick                          | 1    |
| 6         | A000020146122 | Banjo Bolt                                  | 1    | 30           | B008030510850 | Bearing Cover P.T.O. Side (Std.)   | 1    |
| 7         | A000020146102 | Washer                                      | 2    | -            | B008030510250 | Bearing Cover P.T.O. Side (S/F.)   | 1    |
| 8         | B008039900301 | Double banjo bolt                           | 1    | 31           | B008030151080 | Gasket P.T.O. Cover (0.25 mm.)     | 1    |
| 9         | A000093308014 | Sealing Ring A14 x 18                       | 3    | 31           | B008030151280 | Gasket P.T.O. Cover (0.40 mm.)     | 1    |
| 10        | B008030100881 | Breather Plug Assly.                        | 1    | 32           | B008030150175 | Sleeve                             | 1    |
| -         | B008080160881 | Breather Tube (Rubber)                      | 1    | 33           | B008030150705 | Cover PTO                          | NSSP |
| 11        | B008030330401 | Bearing Crank Case Centre (Std.) S.F.       | 1    | 34           | B008030110970 | Stud Cover P.T.O. to Crank Case    | 9    |
| 12        | B008030110081 | Grub Screw                                  | 4    | 35           | A000092708000 | Spring Washer                      | 9    |
| 13        | B008030331302 | Bearing Crank Shaft Support (Std.)          | 1    | 36           | A000092108130 | Hex. Nut M8 x 1.25                 | 9    |
| 14        | B008031840025 | Spinon Type Filter with 'O' Ring            | 1    | 37           | B008039970140 | Oil Seal 47 x 30 x 6               | 1    |
| 15        | B008031800880 | Cam Lub pipe assly                          | -    | 38           | B008031800027 | Rocker Lub. Oil Pipe Assly.        | 1    |
| 16        | C007603014106 | Copper Washer (A14 x 20)                    | 2    | 39           | A000093306010 | Copper Washer                      | 4    |
| 17        | B008030100081 | Drain Plug                                  | 1    | 40           | B008031840172 | Banjo Bolt                         | 2    |
| 18        | A000090008085 | Hex. Bolt M8 x 85                           | 9    | -            | B008030103101 | IDI Engine Assly. with F/W Magneto | 1    |
| 19        | A000090008095 | Hex. Bolt M8 x 95                           | 2    |              |               |                                    |      |
| 20        | A000092808000 | Wave Washer                                 | 11   |              |               |                                    |      |
| 21        | B008039970040 | Oil Seal 60 x 40 x 10                       | 1    |              |               |                                    |      |
| 22        | A000090010091 | Hex. Head Bolt M10 x 90                     | 2    |              |               |                                    |      |
| 23        | B008522410220 | Engine Mounting Rubber                      | 4    |              |               |                                    |      |
| 24        | B008522410127 | Tube  | 2    |              |               |                                    |      |

**KHANEJA MOTORS**

**DELHI INDIA,**

**Mob: +91999967988**

Email id: khanejamotors@gmail.com



| CYLINDER HEAD ASSEMBLY |               |                                   |            |         |           |             | Diagram No-2 |
|------------------------|---------------|-----------------------------------|------------|---------|-----------|-------------|--------------|
| Fig No                 | Part Code     | Description                       | Qty.       | Fig No. | Part Code | Description | Qty.         |
| 1                      | B008030101620 | Cylinder Head with Valve Guides   | 1          |         |           |             |              |
| 2                      | A000091810036 | Stud M10 x 35                     | 2          |         |           |             |              |
| 3                      | A000020146102 | Sealing Ring A14 x 18             | 1          |         |           |             |              |
| 4                      | B006160100752 | Pre-Combustion Chamber            | 1          |         |           |             |              |
| 5                      | B006160170103 | Threaded Ring                     | 1          |         |           |             |              |
| 6                      | B008030530094 | Snap Ring                         | 2          |         |           |             |              |
| 7                      | B008030530530 | Exhaust Valve Guide               | 1          |         |           |             |              |
| 8                      | B008030530529 | Inlet Valve Guide                 | 1          |         |           |             |              |
| 9                      | A000024050662 | Sensor Unit for Temperature Guage | 1          |         |           |             |              |
| 10                     | B008030160270 | Stud M8 Air Intake Manifold       | 2          |         |           |             |              |
| 11                     | B008039900040 | Washer                            | 4          |         |           |             |              |
| 12                     | B008039900051 | Nut                               | 4          |         |           |             |              |
| 13                     | B008081590301 | Glow Plug SRSK 7 Seconds          | 1          |         |           |             |              |
| 14                     | B008039971130 | Closing Cap dia 30 mm             | 1          |         |           |             |              |
| 15                     | B008030160080 | Joint 0.5 mm. thick               | AS<br>read |         |           |             |              |
| 16                     | B008030160705 | Rocker Arm Cover                  | 1          |         |           |             |              |
| 17                     | A000092708000 | Spring Washer                     | 2          |         |           |             |              |
| 18                     | A000091508025 | Allen Bolt M8 x 25                | 1          |         |           |             |              |
| 19                     | A000091508045 | Allen Bolt M8 x 45                | 1          |         |           |             |              |

KHANEJA MOTORS

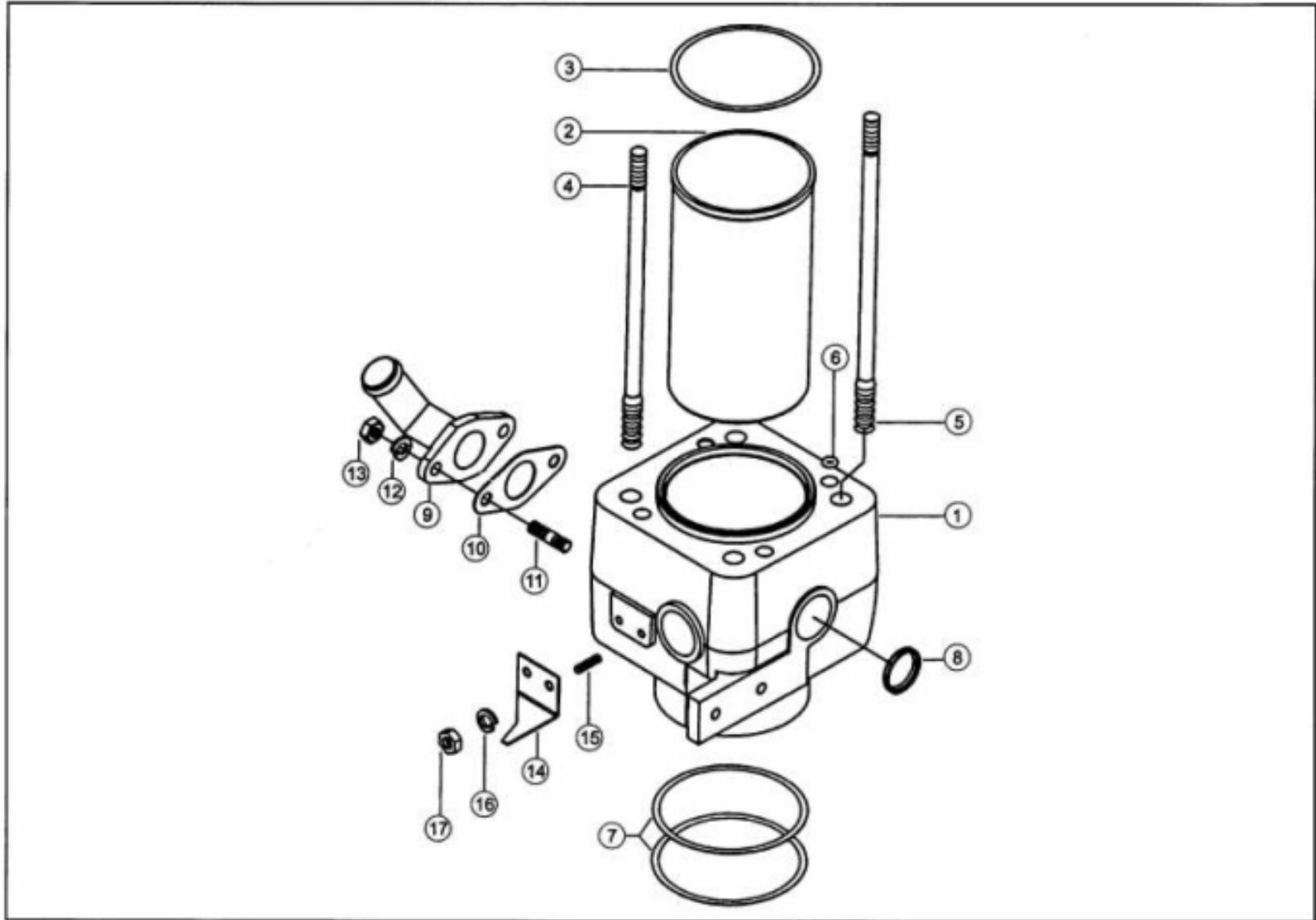
DELHI INDIA,

Mob: +91999967988

Email id: khanejamotors@gmail.com

# CYLINDER BLOCK ASSEMBLY

Diagram No. 3



| CYLINDER BLOCK ASSEMBLY |               |                           |      |         | Diagram No-3 |             |      |
|-------------------------|---------------|---------------------------|------|---------|--------------|-------------|------|
| Fig No.                 | Part Code     | Description               | Qty. | Fig No. | Part Code    | Description | Qty. |
| 1                       | B008030100306 | Cylinder Block with Liner | 1    |         |              |             |      |
| 2                       | B008030110010 | Cylinder Liner            | 1    |         |              |             |      |
| 3                       | B008030120280 | Copper Joint              | 1    |         |              |             |      |
| 4                       | B008030111670 | Stud P.T.O. Side          | 2    |         |              |             |      |
| 5                       | B008030111770 | Stud Fly Wheel Side       | 2    |         |              |             |      |
| 6                       | B008039970045 | Sealing Ring              | 4    |         |              |             |      |
| 7                       | B008030120080 | Joint (0.1 mm.)           | 1    |         |              |             |      |
| 7A                      | B008030120180 | Joint (0.3 mm.)           | 1    |         |              |             |      |
| 8                       | B008039971130 | Closing Cap               | 3    |         |              |             |      |
| 9                       | B008032000505 | Water Inlet Flange        | 1    |         |              |             |      |
| 10                      | B008032030180 | Gasket                    | 1    |         |              |             |      |
| 11                      | A000091808035 | Stud M8 x 35              | 2    |         |              |             |      |
| 12                      | A000092708000 | Spring Washer             | 2    |         |              |             |      |
| 13                      | A000092108130 | Hex. Nut M8 x 1.25        | 2    |         |              |             |      |
| 14                      | B008030320250 | Pointer                   | 1    |         |              |             |      |
| 15                      | A000095306010 | Stud M6 x 10              | 2    |         |              |             |      |
| 16                      | A000092706000 | Spring Washer             | 2    |         |              |             |      |
| 17                      | A000092106102 | Hex. Nut M6 x 1           | 2    |         |              |             |      |

**KHANEJA MOTORS**

DELHI, INDIA,

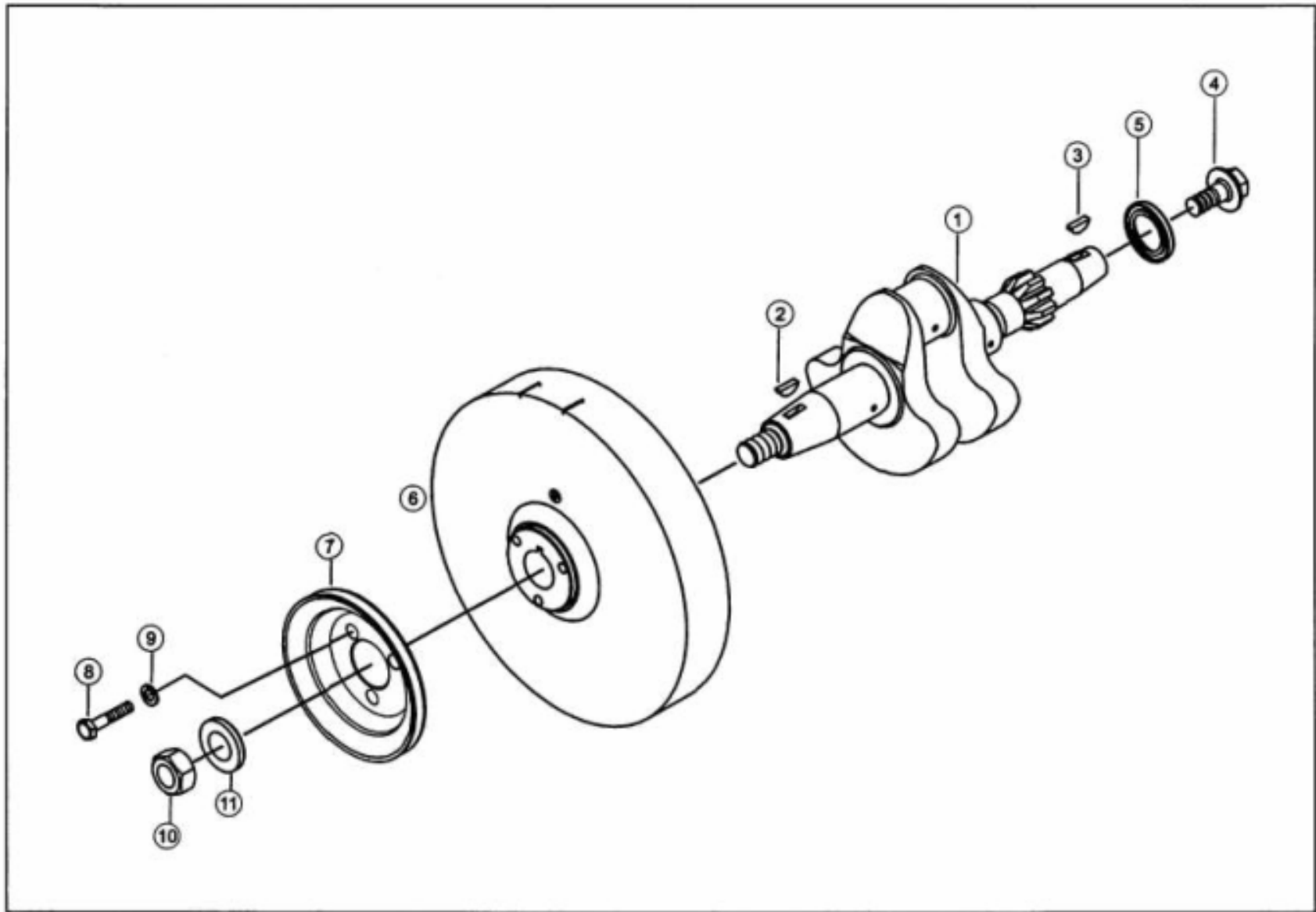
Mob: +919999679888

Email id: khanejamotors@gmail.com



# CRANK SHAFT

Diagram No. 4



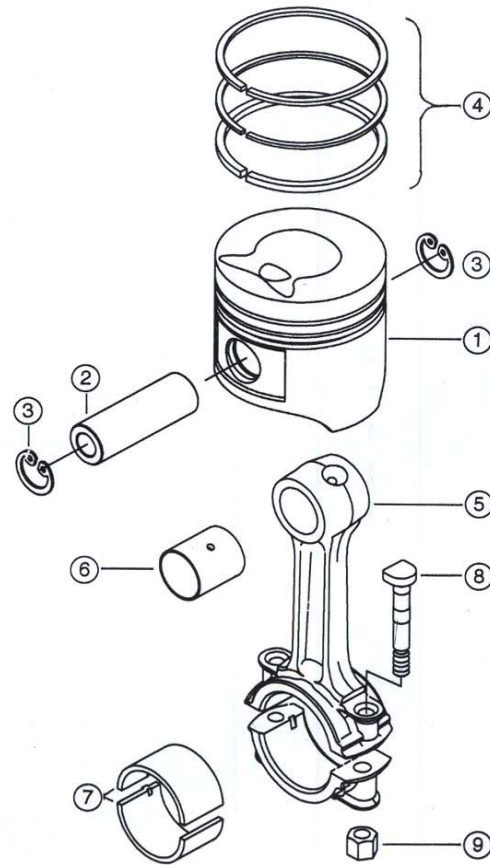
| CRANKSHAFT ASSEMBLY |               |                            |      | Diagram No-4 |           |             |      |
|---------------------|---------------|----------------------------|------|--------------|-----------|-------------|------|
| Fig No.             | Part Code     | Description                | Qty. | Fig No.      | Part Code | Description | Qty. |
| 1                   | B008030300602 | Crank Shaft Assly. Plugged | 1    |              |           |             |      |
| 2                   | B008039970067 | Woodruff Key Flywheel End  | 1    |              |           |             |      |
| 3                   | A000020126052 | Woodruff Key P.T.O. End    | 1    |              |           |             |      |
| 4                   | B008030310371 | Flanged Bolt M14 x 1.2     | 1    |              |           |             |      |
| 5                   | B008039970140 | Oil Seal 47 x 30 x 6       | 1    |              |           |             |      |
| 6                   | B008030302905 | Fly Wheel                  | 1    |              |           |             |      |
| 7                   | B008030320704 | Single Grooved Pulley      | 1    |              |           |             |      |
| 8                   | A000090308023 | Hex. Head Bolt M8 x 20     | 3    |              |           |             |      |
| 9                   | A000092708000 | Spring Washer              | 3    |              |           |             |      |
| 10                  | A000092120150 | Hex. Nut M20 x 1.5         | 1    |              |           |             |      |
| 11                  | B008039900140 | Plain Washer 20 Dia.       | 1    |              |           |             |      |

KHANEJA MOTORS,

DELHI, INDIA

Mob: +91 9999679888

Email.id : khanejamotors@gmail.com



| PISTON & CONNECTING ROD |               |                             |      | Diagram No-5 |           |             |      |
|-------------------------|---------------|-----------------------------|------|--------------|-----------|-------------|------|
| Fig No.                 | Part Code     | Description                 | Qty. | Fig No.      | Part Code | Description | Qty. |
| 1                       | B008030371201 | Piston Bare (Std.)          | 1    |              |           |             |      |
| 2                       | B008030370120 | Gudgeon Pin                 | 1    |              |           |             |      |
| 3                       | B008039940135 | Circlip                     | 2    |              |           |             |      |
| 4                       | B008030000603 | Piston Ring Set (Std.)      | 1    |              |           |             |      |
| 5                       | B008030300420 | Connecting Rod Bare         | 1    |              |           |             |      |
| 6                       | B008030380050 | Small end Bush              | 1    |              |           |             |      |
| 7                       | B008030380010 | Large End Bearing Std. Pair | 1    |              |           |             |      |
| 8                       | B008030380071 | Connecting Rod Bolt         | 2    |              |           |             |      |
| 9                       | B008030380072 | Nut M8 x 19                 | 2    |              |           |             |      |

KHANEJA MOTORS,

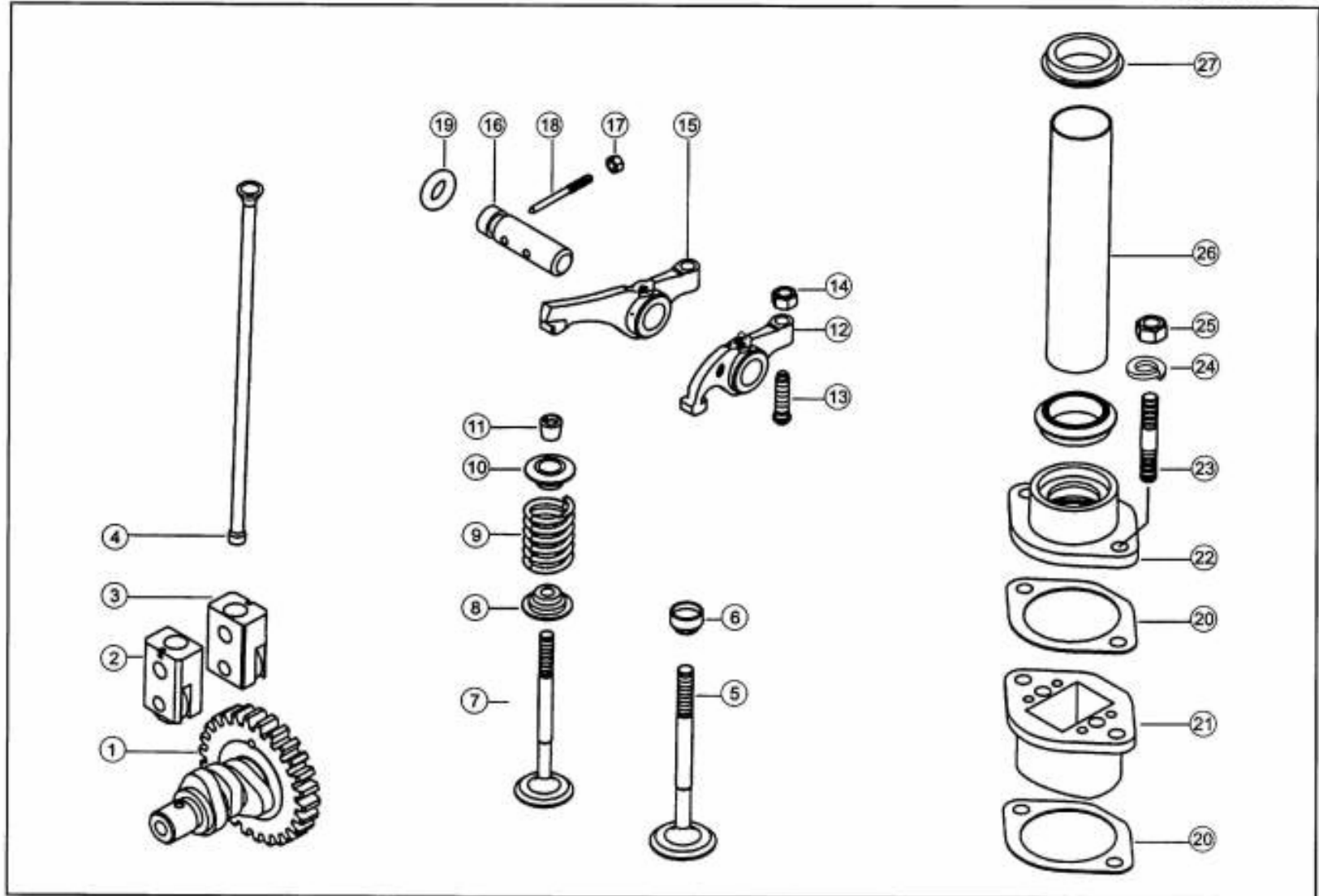
DELHI, INDIA

Mob: +919999679888

Email.id: khanejamotors@gmail.com

# CAMSHAFT, ROCKER ARMS & VALVES

Diagram No. 6



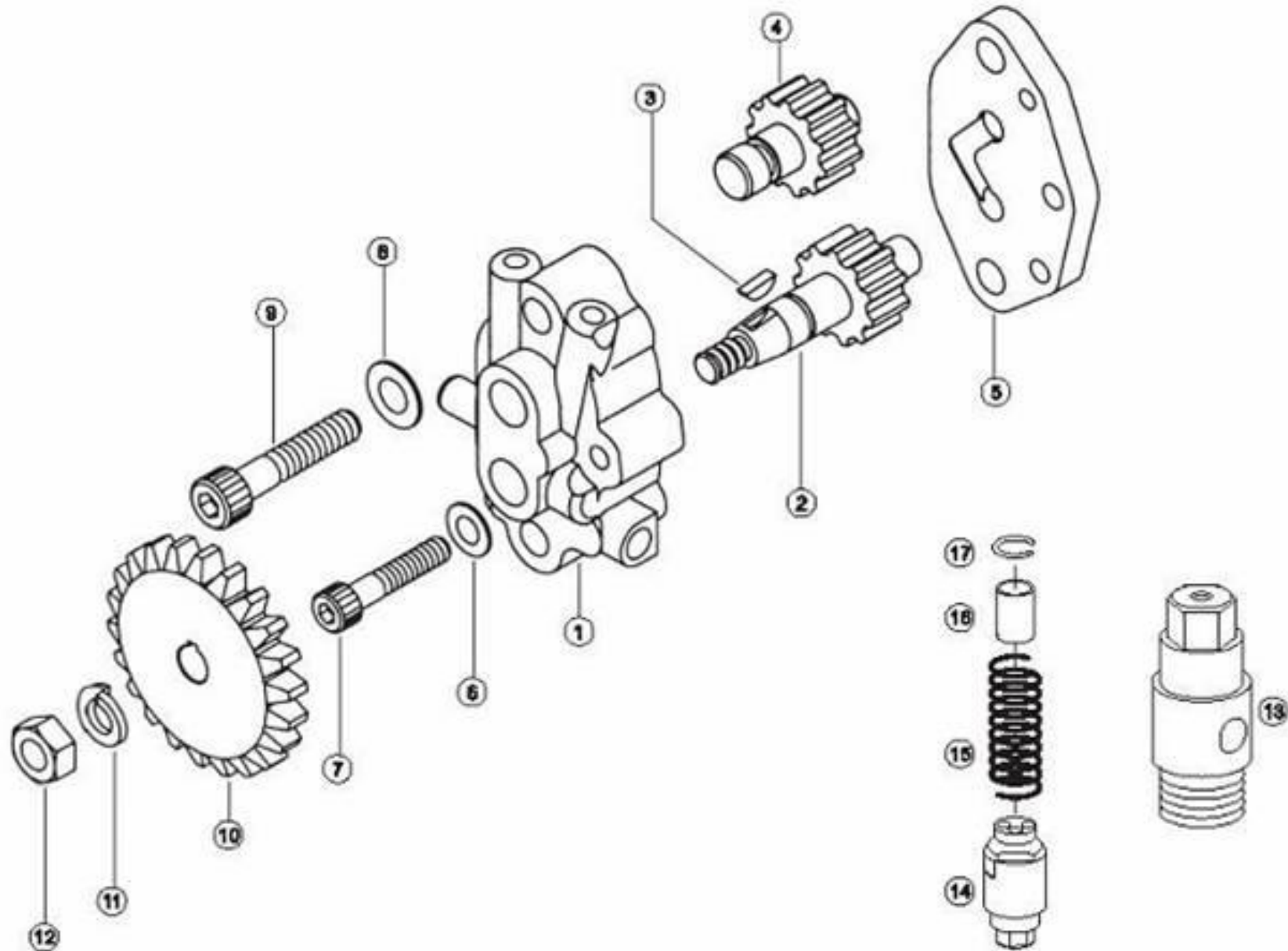
| CAMSHAFT, ROCKER ARMS & VALVES |               |                                    |      |         | Diagram No-6  |                            |      |
|--------------------------------|---------------|------------------------------------|------|---------|---------------|----------------------------|------|
| Fig No.                        | Part Code     | Description                        | Qty. | Fig No. | Part Code     | Description                | Qty. |
| 1                              | B008030510101 | Cam Shaft                          | 1    | 25      | A000092108130 | Nut M8 x 1.25              | 2    |
| 2                              | B008030500525 | Exhaust Tappet Assly.              | 1    | 26      | B008030540129 | Push Rod Tube              | 1    |
| 3                              | B008030500525 | Inlet Tappet Assly. ( Same as Exh) | 1    | 27      | B008030540058 | Rubber Sleeve              | 2    |
| 4                              | B008030540112 | Push Rod                           | 2    | -       | B008031800027 | Rocker Lub oil pipe assly. | 1    |
| 5                              | B008030530401 | Inlet Valve                        | 1    |         |               |                            |      |
| 6                              | B008030530058 | Seal for Inlet Valve               | 1    |         |               |                            |      |
| 7                              | B008030530501 | Exhaust Valve                      | 1    |         |               |                            |      |
| 8                              | B008030530025 | Spring Retainer Lower              | 2    |         |               |                            |      |
| 9                              | B008030530020 | Valve Spring                       | 2    |         |               |                            |      |
| 10                             | B008030530125 | Spring Retainer Upper              | 2    |         |               |                            |      |
| 11                             | B008030530035 | Valve Collet                       | 4    |         |               |                            |      |
| 12                             | B008030550101 | Inlet Rocker Lever                 | 1    |         |               |                            |      |
| 13                             | B008030550019 | Rocker Adjusting Screw             | 2    |         |               |                            |      |
| 14                             | B008030550072 | Rocker Adjusting Nut               | 2    |         |               |                            |      |
| 15                             | B008030550001 | Exhaust Rocker Lever               | 1    |         |               |                            |      |
| 16                             | B008030550105 | Shaft for Rocker Lever             | 1    |         |               |                            |      |
| 17                             | A000092106102 | Hex. Nut M6 x 1                    | 1    |         |               |                            |      |
| 18                             | B008030550119 | Lock Screw                         | 1    |         |               |                            |      |
| 19                             | B008030550036 | 'O' Ring for Rocker Shaft          | 1    |         |               |                            |      |
| 20                             | B008030540180 | Gasket Tappet Housing              | 2    |         |               |                            |      |
| 21                             | B008030540002 | Tappet Housing                     | 1    |         |               |                            |      |
| 22                             | B008030540329 | Guide for Push Rod Tube            | 1    |         |               |                            |      |
| 23                             | B008030160070 | Stud                               | 2    |         |               |                            |      |
| 24                             | A000092708000 | Spring Washer                      | 2    |         |               |                            |      |

KHANEJA MOTORS,

DELHI,INDIA

Mob: +919999679888

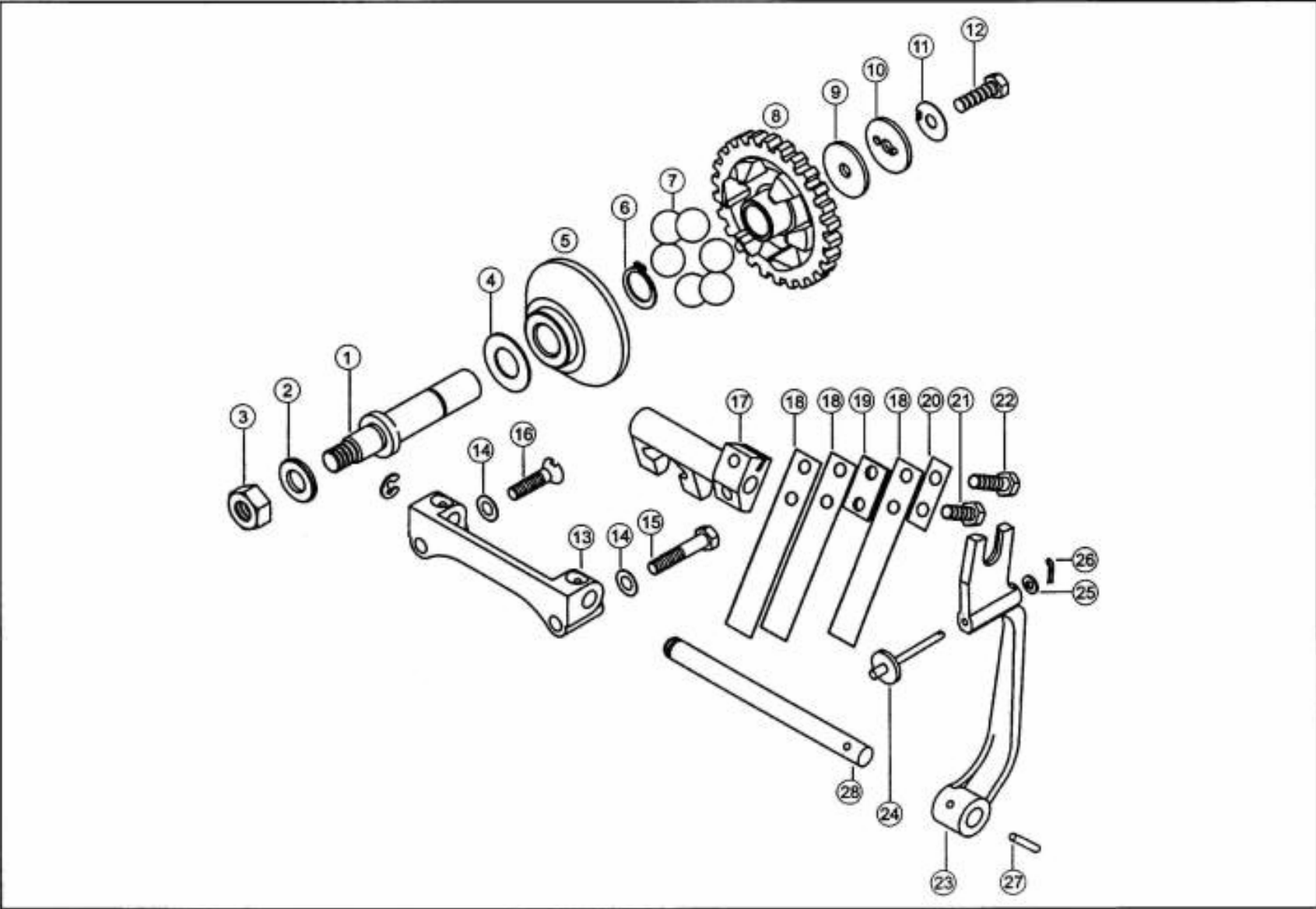
Email id: khanejamotors@gmail.com



| OIL PUMP ASSEMBLY |               |                          |      | Diagram No-7 |           |             |      |
|-------------------|---------------|--------------------------|------|--------------|-----------|-------------|------|
| Fig No.           | Part Code     | Description              | Qty. | Fig No.      | Part Code | Description | Qty. |
| 1                 | B008031810202 | Pump Body                | NSSP |              |           |             |      |
| -                 | B008031800201 | Oil Pump Assembly        | 1    |              |           |             |      |
| 2                 | B008031810306 | Pumping Gear (Driving)   | NSSP |              |           |             |      |
| 3                 | A000094303037 | Woodruff Key             | NSSP |              |           |             |      |
| 4                 | B008031810406 | Pumping Gear (Driven)    | NSSP |              |           |             |      |
| 5                 | B008031840202 | End Plate                | NSSP |              |           |             |      |
| 6                 | A000092806012 | Wave Washer B6           | 1    |              |           |             |      |
| 7                 | A000091506040 | Socket Head Bolt M6 x 40 | 1    |              |           |             |      |
| 8                 | A000091508012 | Wave Washer B8 x 0.3     | 2    |              |           |             |      |
| 9                 | A000091508045 | Socket Head Bolt M8 x 45 | 2    |              |           |             |      |
| 10                | B008031810206 | External Gear            | 1    |              |           |             |      |
| 11                | A000092708000 | Spring Washer            | 1    |              |           |             |      |
| 12                | A000092108130 | Nut M8 x 1.25            | 1    |              |           |             |      |
| 13                | B008030100570 | Safety Relief Valve Body | 1    |              |           |             |      |
| 14                | A000041840029 | Valve Housing            | 1    |              |           |             |      |
| 15                | B008039931901 | Spring for relief valve  | 1    |              |           |             |      |
| 16                | A000014810042 | OP Piston                | 1    |              |           |             |      |
| 17                | A000096412001 | Circlip                  | 1    |              |           |             |      |

KHANEJA MOTORS,  
DELHI, INDIA  
Mob: +919999679888  
Email id: khanejamotors@gmail.com





**MECHANICAL GOVERNOR & INJECTION PUMP CONTROL LEVER****Diagram No-8**

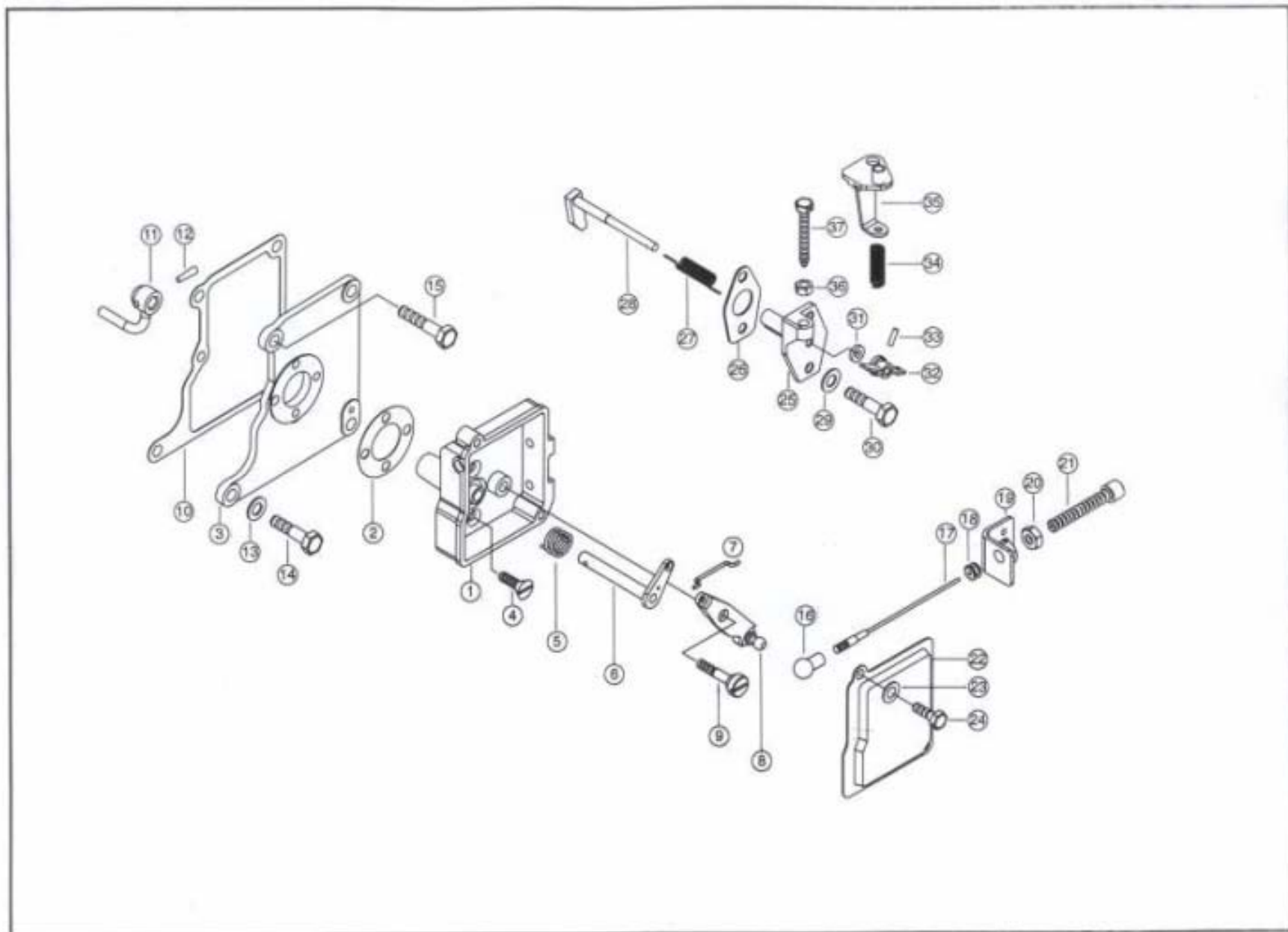
| Fig No. | Part Code     | Description                    | Qty. | Fig No. | Part Code     | Description                      | Qty. |
|---------|---------------|--------------------------------|------|---------|---------------|----------------------------------|------|
| 1       | B008030600074 | Governor Shaft Assly. with Pin | 1    | 21      | A000090305015 | Hex. Head Screw M5 x 15          | 1    |
| 2       | A000092510000 | Plain Washer                   | 1    | 22      | A000090305012 | Hex. Head Screw M5 x 12          | 1    |
| 3       | A000092110152 | Nut Plated                     | 1    | 23      | B008030630001 | Rack Control Lever               | 1    |
| 4       | B008030610040 | Washer                         | 1    | 24      | B008030630174 | Pin for Torque Control Device    | 1    |
| 5       | B008030610025 | Governor Bell                  | 1    | 25      | B008030630040 | Pre Tension Washer 0.5 mm. thick | 1    |
| 6       | A000094414100 | Circlip                        | 1    | 25A     | B008030630140 | Pre Tension Washer 0.3 mm. thick | 1    |
| 7       | B008039970010 | Steel Ball 9/16"               | 6    | 25B     | B008030630240 | Pre-Tension Washer 0.1 mm. thick | 1    |
| 8       | B008030600057 | Governor Gear                  | 1    | 26      | A000094201008 | Split Pin                        | 1    |
| 9       | B008030610050 | Shim Governor Assly.           | 1    | 27      | C000001002009 | Taper Pin Dia 3 x 18             | 1    |
| 10      | B008030610007 | Disc                           | 1    | 28      | B008030630074 | Pin for Rack Control Lever       | 1    |
| 11      | B008030610078 | Lock Plate                     | 1    |         |               |                                  |      |
| 12      | B008039900071 | Hex. Bolt M6 x 16              | 1    |         |               |                                  |      |
| 13      | B008030630010 | Support                        | 1    |         |               |                                  |      |
| 14      | A000092906400 | External Star Washer           | 2    |         |               |                                  |      |
| 15      | A000090306035 | Hex. Head Bolt M6 x 35         | 1    |         |               |                                  |      |
| 16      | A000091006030 | Counter Sunk Screw M6 x 30     | 1    |         |               |                                  |      |
| 17      | B008030630002 | Fork                           | 1    |         |               |                                  |      |
| 18      | B008030630191 | Leaf Spring                    | 3    |         |               |                                  |      |
| 19      | B008030630054 | Spacer                         | 1    |         |               |                                  |      |
| 20      | B008030630078 | Lock Plate                     | 1    |         |               |                                  |      |

KHANEJA MOTORS,

DELHI, INDIA

Mob: +919999679888

Email.id : khanejamotors@gmail.com



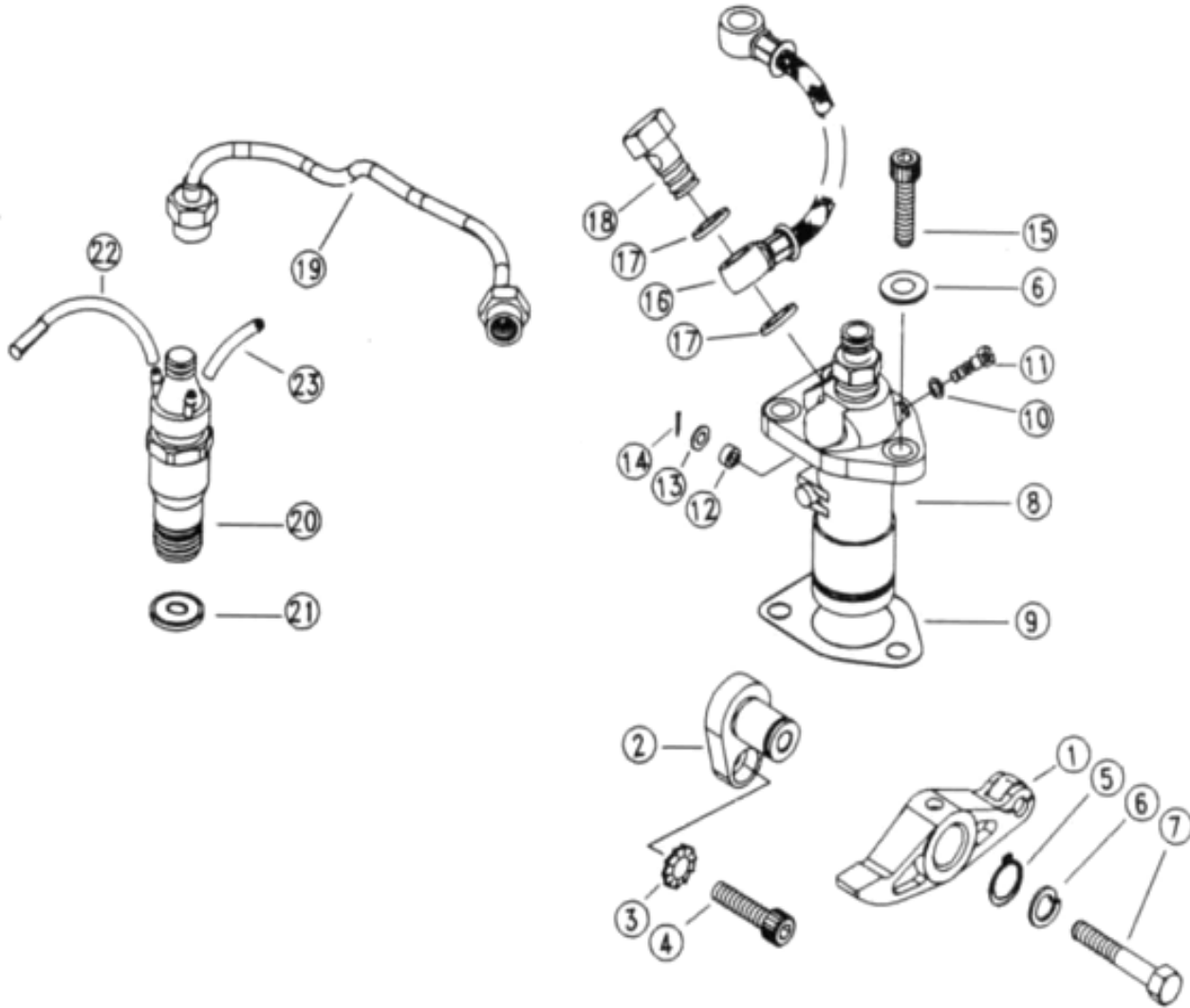
| THROTTLE REMOTE CONTROL & EXTRA FUEL & STOP DEVICE |               |                                   |      | Diagram No-9 |               |                                       |          |
|--|---------------|-----------------------------------|------|--------------|---------------|---------------------------------------|----------|
| Fig No.  | Part Code     | Description                       | Qty. | Fig No.      | Part Code     | Description                           | Qty.     |
| 1  | B008030710101 | Housing Accelerator Control       | 1    | 24           | A000090306013 | Hex. Bolt                             | 2        |
| 2  | B008030710080 | Gasket                            | 1    | 25           | B008030730030 | Support Bracket for extra Fuel Device | 1        |
| 3  | B008030150805 | Side Cover                        | 1    | 26           | B008030730180 | Joint 0.5 mm.                         | As Reqd. |
| 4  | A000091106015 | Countersunk Screw M6 x 15         | 3    | 27           | B008030730020 | Spring                                | 1        |
| 5  | B008030720020 | Spring                            | 1    | 28           | B008030730074 | Pin with Cam Assly.                   | 1        |
| 6  | B008030720121 | Counter Lever                     | 1    | 29           | A000092506000 | Washer                                | 2        |
| 7  | B008030710027 | Tie Rod                           | 1    | 30           | A000090306017 | Hex. Head Screw M6 x 16               | 2        |
| 8  | B008030700529 | Internal Throttle Lever Assly.    | 1    | 31           | B008030730080 | Rubber Joint                          | 1        |
| 9  | B008030710271 | Cap Screw                         | 1    | 32           | B008030730078 | Knob (Extra Fuel Device)              | 1        |
| 10   | B008030150980 | Gasket                            | 1    | 33           | C000001002501 | Taper Pin 2.5 x 10                    | 1        |
| 11   | B008030700021 | Counter Lever Assly.              | 1    | 34           | B008030730120 | Cable Spring                          | 1        |
| 12   | C000001002009 | Taper Pin 3 x 18                  | 1    | 35           | B008030700213 | Cable Support                         | 1        |
| 13   | A000092808000 | Wave Washer                       | 3    | 36           | A000092106102 | Hex. Nut M6 x 1                       | 1        |
| 14   | A000090308023 | Hex. Head Screw M8 x 20           | 3    | 37           | B008030730019 | Hex. Bolt M6.1 x 49.5                 | 1        |
| 15   | A000090308028 | Hex. Head Screw M8 x 25           | 1    |              |               |                                       |          |
| 16   | B008030720076 | Ball Socket                       | 1    |              |               |                                       |          |
| 17   | B008523002785 | Accelerator Cable (A/R)- 4 SEATER | 1    |              |               |                                       |          |
| 18   | B008039870081 | Rubber Grommet                    | 1    |              |               |                                       |          |
| 19   | B008030720241 | Abutment Bracket                  | 1    |              |               |                                       |          |
| 20   | A000092108130 | Hex. Nut                          | 1    |              |               |                                       |          |
| 21   | B008030710088 | Cable End                         | 1    |              |               |                                       |          |
| 22   | B008030710102 | Cover                             | 1    |              |               |                                       |          |
| 23   | A000092706000 | Washer                            | 2    |              |               |                                       |          |

KHANEJA MOTORS,

DELHI, INDIA

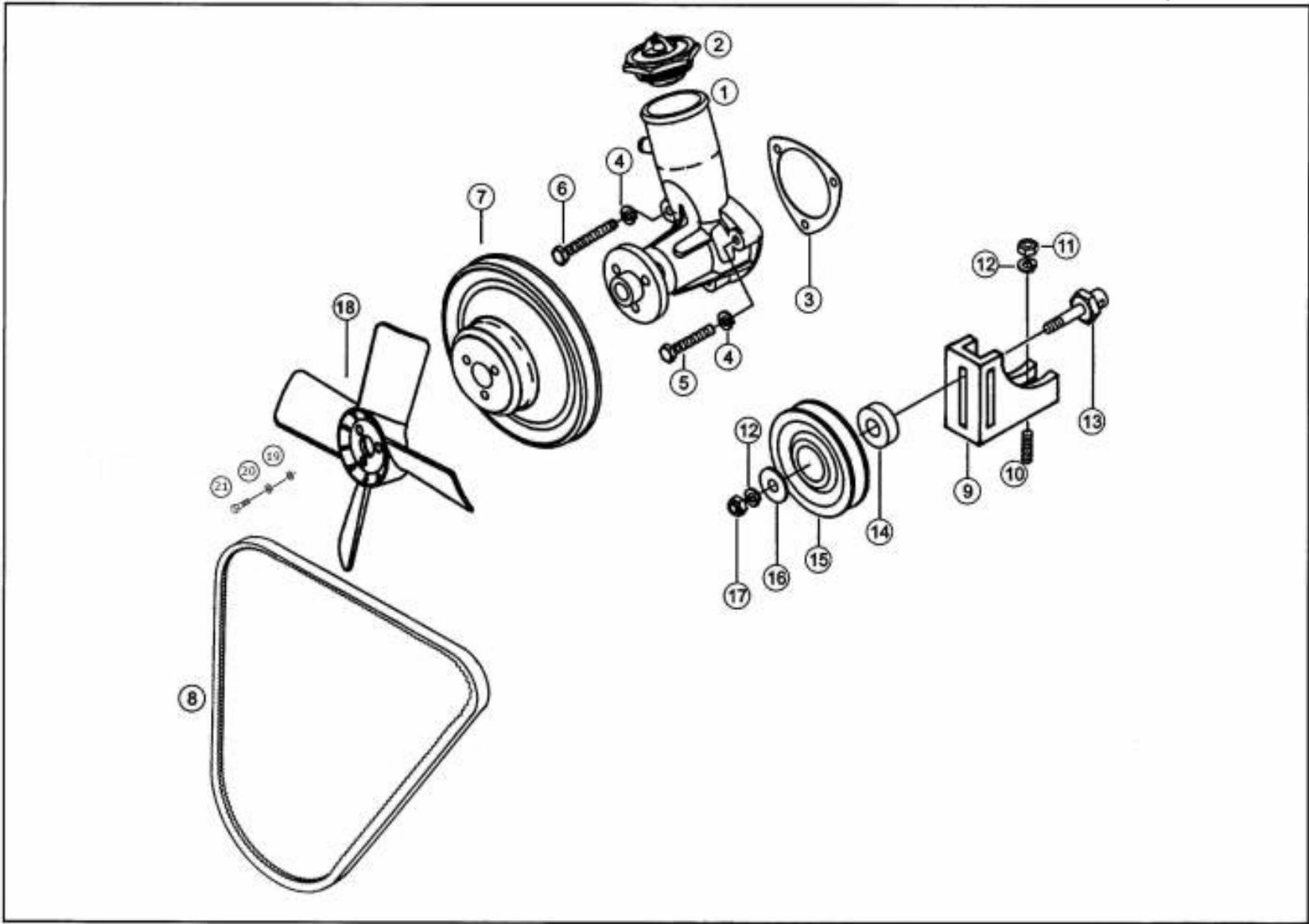
Mob: +919999679888

Email id: khanejamotors@gmail.com



| FUEL INJECTION SYSTEM |               |                              |          | Diagram No-10 |               |  |      |
|-----------------------|---------------|------------------------------|----------|---------------|---------------|--|------|
| Fig No.               | Part Code     | Description                  | Qty.     | Fig No.       | Part Code     | Description                                    | Qty. |
| 1                     | B008030700025 | Rocker Arm Assly.            | 1        | 21            | A000040170260 | Gasket Injector                                | 1    |
| 2                     | B008030750474 | Fulcrum Pin                  | 1        | 22            | A000040146122 | Hose 160 mm.(INJECTOR TO TANK)                 | 1    |
| 3                     | A000092908500 | Star Washer                  | 1        | -             | B008030780025 | Connector                                      | 1    |
| 4                     | A000091508018 | Hex. Socket Screw M8 x 18    | 1        | 23            | B008080700055 | Plugged Hose                                   | 1    |
| 5                     | A000094418120 | Circlip                      | 1        | -             | B008030980726 | Fuel Hose(Tank to Filter)- 6 seater- Passenger | 1    |
| 6                     | A000092708000 | Spring Washer                | 7        | -             | B008080780081 | Intermediate hose                              | 1    |
| 7                     | A000090108055 | Hex. Head Bolt M8 x 55       | 1        | -             | B008030980926 | Fuel pipe hose-cB                              | 1    |
| 8                     | B008030701601 | Injection Pump Assly.        | 1        | 24            | B008030150375 | Sleeve Dowel                                   | 1    |
| 9                     | B008030740080 | Joint 0.1 mm.                | As Reqd. | 25            | B008524760101 | Overflow Pipe - Injector to Tank               | 1    |
| -                     | B008030740180 | Joint 0.3 mm.                | As Reqd. |               |               |  |      |
| -                     | B008030740280 | Joint 0.5 mm.                | As Reqd. |               |               |  |      |
| 10                    | A000020146102 | Washer                       | 1        |               |               |  |      |
| 11                    | B008030980073 | Air Vent Screw               | 1        |               |               |  |      |
| 12                    | B008030630050 | Bushing                      | 1        |               |               |  |      |
| 13                    | C001440005000 | Washer Dia 5 mm.             | 1        |               |               |  |      |
| 14                    | A000094202012 | Split Pin 2 x 12             | 1        |               |               |  |      |
| 15                    | A000091508025 | Allen Bolt M8 x 25           | 1        |               |               |  |      |
| -                     | A000091508030 | Allen Bolt M8 x 30           | 2        |               |               |  |      |
| 16                    | B008030980526 | Flexible Hose Filter to Pump | 1        |               |               |  |      |
| 17                    | C007603014106 | Washer                       | 2        |               |               |  |      |
| 18                    | A000020146122 | Banjo Bolt                   | 1        |               |               |  |      |
| 19                    | B008030980882 | High Pressure Pipe Assly.    | 1        |               |               |  |      |
| 20                    | B008080170421 | Injector Assly.              | 1        |               |               |  |      |

KHANEJA MOTORS,  
DELHI, INDIA  
Mob: +919999679888  
Email id: khanejamotors@gmail.com



**WATER PUMP & IDLER PULLEY**

Diagram No-11

| Fig No. | Part Code     | Description                         | Qty. | Fig No. | Part Code     | Description            | Qty. |
|---------|---------------|-------------------------------------|------|---------|---------------|------------------------|------|
| 1       | B008032001101 | Water Pump Assly.                   | 1    | 19      | A000092508000 | Plain Washer M8        | 3    |
| 2       | B008032000215 | Thermostat Assly.                   | 1    | 20      | A000092708000 | Spring Washer B8       | 3    |
| 3       | B008032030080 | Gasket (Water Pump)                 | 1    | 21      | A000090308031 | Hex Head Screw M8 X 30 | 3    |
| 4       | A000092708000 | Spring Washer                       | 10   |         |               |                        |      |
| 5       | A000090008035 | Hex. Head Bolt M8 x 35              | 2    |         |               |                        |      |
| 6       | A000090008046 | Hex. Head Bolt M8 x 45              | 1    |         |               |                        |      |
| 7       | B008032050910 | Water Pump Pulley                   | 1    |         |               |                        |      |
| 8       | B008089970892 | Cogged Belt for Water Pump (A x 46) | 1    |         |               |                        |      |
| 9       | B008031541311 | Bracket Idler                       | 1    |         |               |                        |      |
| 10      | A000091810032 | Stud M10 x 30                       | 2    |         |               |                        |      |
| 11      | B008039901551 | Hex. Nut                            | 2    |         |               |                        |      |
| 12      | A000092710000 | Spring Washer                       | 3    |         |               |                        |      |
| 13      | B008031540174 | Shaft Idler                         | 1    |         |               |                        |      |
| 14      | B008032500315 | Bearing (6202-2RS)                  | 1    |         |               |                        |      |
| 15      | B008031520102 | Pulley                              | 1    |         |               |                        |      |
| 16      | B008039900340 | Plain Washer Idler                  | 1    |         |               |                        |      |
| 17      | C000934014006 | Nyloc Nut M8                        | 1    |         |               |                        |      |
| -       | C000472035000 | Int. Circlip 35X 1.5                | 1    |         |               |                        |      |
| -       | C000471015000 | Circlip 15 X 1                      | 1    |         |               |                        |      |
| 18      | B008032000623 | Fan - 4 Blade                       | 1    |         |               |                        |      |

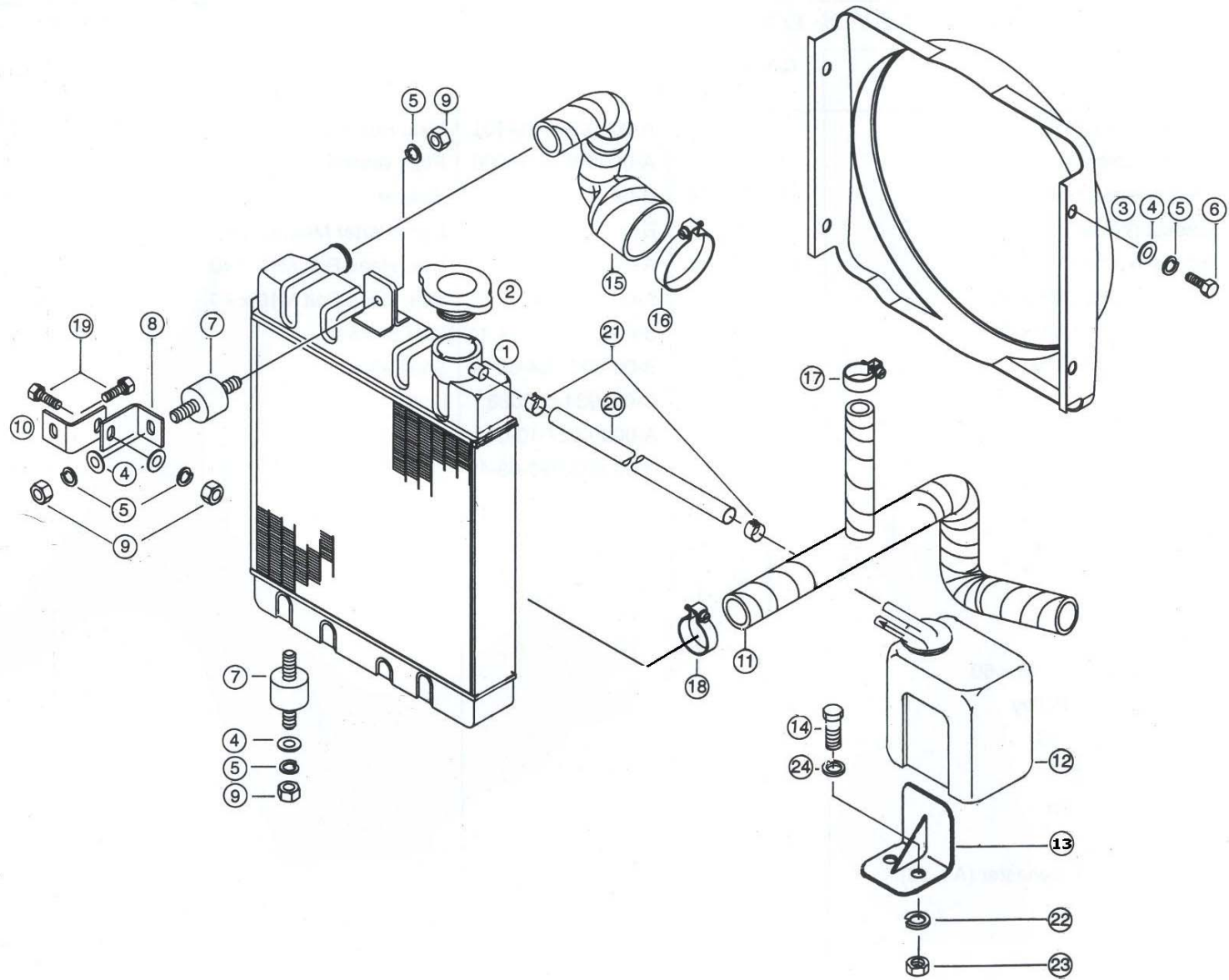
KHANEJA MOTORS,

DELHI, INDIA

Mob: +919999679888

Email id: khanejamotors@gmail.com





| ENGINE COOLING SYSTEM- AUTORIKSHAW |               |   |      |         | Diagram No-12 |                  |      |
|------------------------------------|---------------|---|------|---------|---------------|------------------|------|
| Fig No.                            | Part Code     | Description                               | Qty. | Fig No. | Part Code     | Description      | Qty. |
| 1                                  | B008525001003 | Radiator Assly. (Common for 4 & 8 seater) | 1    | 22      | A000092706000 | Spring Washer B6 | 2    |
| 2                                  | B008545010015 | Radiator Cap                              | 1    | 23      | A000092106102 | Hex. Nut M6 x 1  | 2    |
| 3                                  | B008525050655 | Radiator Cowl                             | 1    | 24      | A000092506000 | Plain Washer M6  | 2    |
| 4                                  | A000092508000 | Plain Washer                              | 11   |         |               |                  |      |
| 5                                  | A000092708000 | Spring Washer                             | 9    |         |               |                  |      |
| 6                                  | A000090308014 | Hex. Head Bolt M8 x 16                    | 4    |         |               |                  |      |
| 7                                  | A000023055072 | Bonded Rubber Pad                         | 3    |         |               |                  |      |
| 8                                  | B008525010441 | Radiator Top Bracket                      | 1    |         |               |                  |      |
| 9                                  | A000092108130 | Hex. Head Nut M8 x 1.25                   | 5    |         |               |                  |      |
| 10                                 | B008525010541 | Radiator Top Bracket                      | 1    |         |               |                  |      |
| 11                                 | B008525011782 | Hose (Radiator to Engine)                 | 1    |         |               |                  |      |
| 12                                 | B008555000110 | Condensation Tank                         | 1    |         |               |                  |      |
| 13                                 | B008545041541 | Condensation Tank Mounting Bracket        | 1    |         |               |                  |      |
| 14                                 | A000090306014 | Hex. Head Screw M6 x 15                   | 2    |         |               |                  |      |
| 15                                 | B008525015482 | Top Hose (Water pump to radiator)         | 1    |         |               |                  |      |
| 16                                 | B008529950111 | Hose Clip                                 | 1    |         |               |                  |      |
| 17                                 | B008529950411 | Hose Clip                                 | 2    |         |               |                  |      |
| 18                                 | B008529950011 | Hose Clip                                 | 3    |         |               |                  |      |
| 19                                 | A000090308023 | Hex. Head Screw M8 x 20                   | 2    |         |               |                  |      |
| 20                                 | B008525012682 | Hose from Radiator to Condensation Tank   | 1    |         |               |                  |      |
| 21                                 | B008529950111 | Clinch Type Hose Clip                     | 2    |         |               |                  |      |

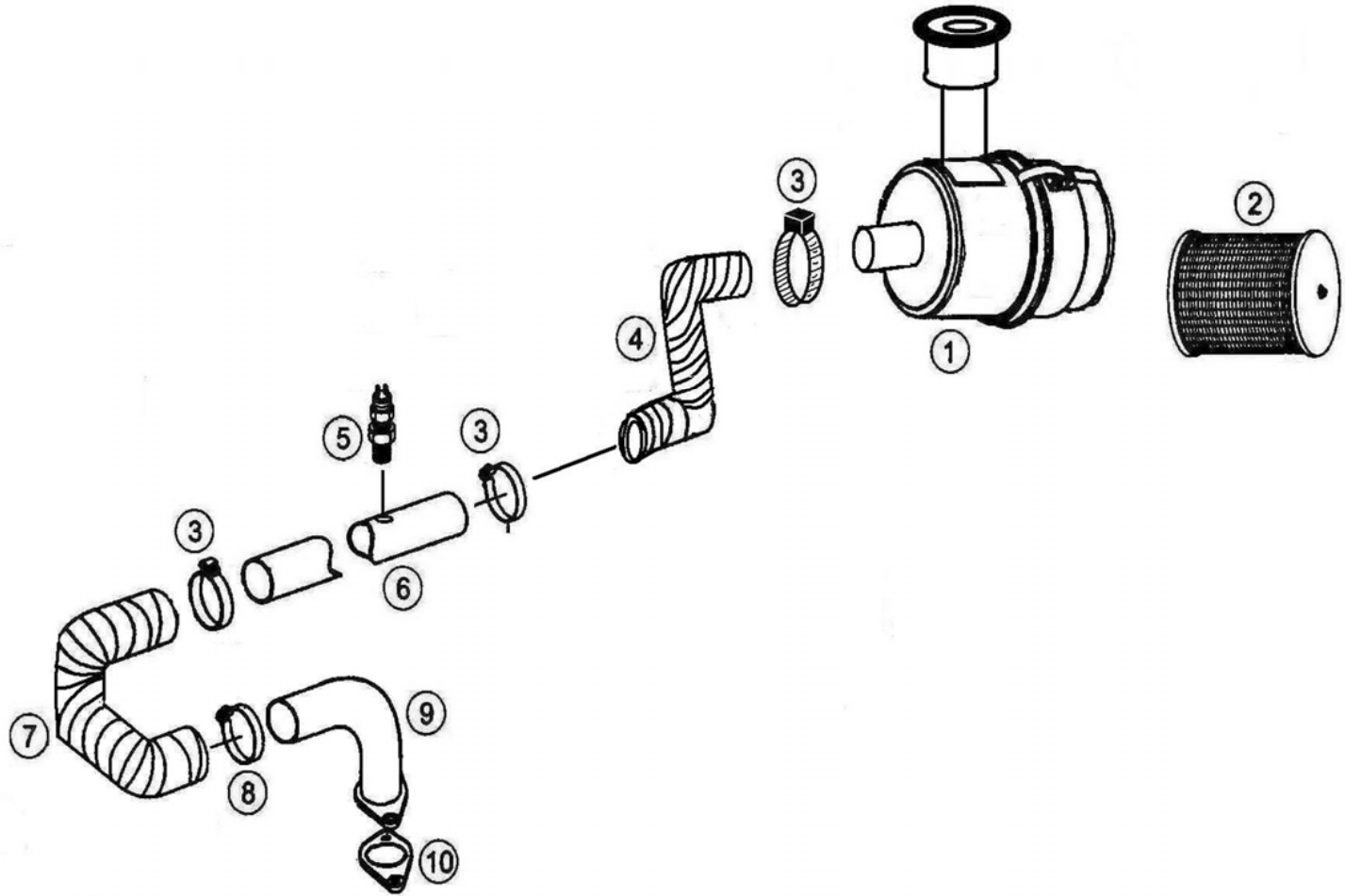
**KHANEJA MOTORS,**

**DELHI, INDIA**

**Mob: +919999679888**

**Email id: khanejamotors@gmail.com**

# AIR INTAKE SYSTEM



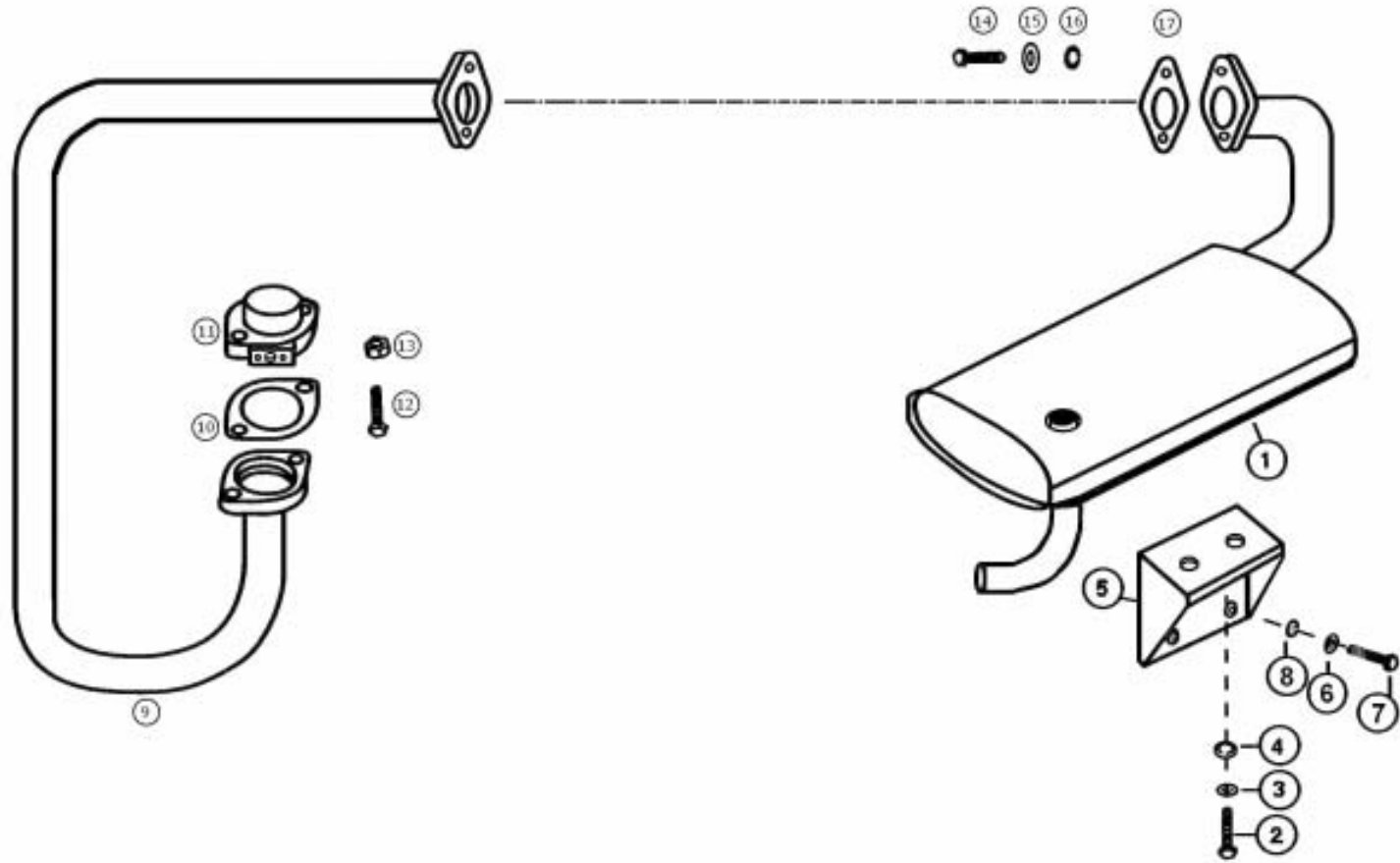
| INTAKE SYSTEM-PASSENGER |               |                                 |      | Diagram No-14 |  |  |  |
|-------------------------|---------------|---------------------------------|------|---------------|--|--|--|
| Fig No.                 | Part Code     | Description                     | Qty. |               |  |  |  |
| 1                       | B008530900080 | Air Cleaner Assly.              | 1    |               |  |  |  |
| 2                       | B008520940310 | Air Cleaner Element             | 1    |               |  |  |  |
| 3                       | B008529950211 | Hose Clip                       | 3    |               |  |  |  |
| 4                       | B008520946082 | Hose Pipe (A/c to air pipe)     | 1    |               |  |  |  |
| 5                       | -             | Chock Indicator                 | 1    |               |  |  |  |
| 6                       | B008520943182 | Air Pipe Assly To Engine Intake | 1    |               |  |  |  |
| 7                       | B008520943182 | Hose engine intake to air pipe  | 1    |               |  |  |  |
| 8                       | -             | Hose Clip                       | 1    |               |  |  |  |
| 9                       | B008031411201 | Intake Manifold                 | 1    |               |  |  |  |
| 10                      | B008031411501 | Intake Manifold                 | 1    |               |  |  |  |

KHANEJA MOTORS,

DELHI, INDIA

Mob: +919999679888

Email id: khanejamotors@gmail.com



**EXHAUST SYSTEM**

Diagram No-16

| Fig No. | Part Code     | Description                         | Qty. | Fig No. | Part Code | Description | Qty. |
|---------|---------------|-------------------------------------|------|---------|-----------|-------------|------|
| 1       | B008524901691 | Silencer Assly.                     | 1    |         |           |             |      |
| 2       | A000090310021 | HHS M10 x 20                        | 2    |         |           |             |      |
| 3       | A000092710000 | Spring washer                       | 2    |         |           |             |      |
| 4       | A000092510000 | Plain washer                        | 2    |         |           |             |      |
| 5       | B008524900341 | Silencer Mtg. Bkt ( Crankcase Side) | 1    |         |           |             |      |
| 6       | A000092710000 | Spring washer                       | 4    |         |           |             |      |
| 7       | A000090310021 | HHS M10 X 20                        | 4    |         |           |             |      |
| 8       | A000092510000 | Plain washer                        | 4    |         |           |             |      |
| 9       | B008524901701 | Ex. Pipe assly.                     | 1    |         |           |             |      |
| 10      | B008524920280 | Gasket for adaptor                  | 1    |         |           |             |      |
| 11      | B008524920245 | Exhaust flange                      | 1    |         |           |             |      |
| 12      | A000091508019 | Stud                                | 2    |         |           |             |      |
| 13      | A000092108130 | Hex nut M8 x 1.25                   | 2    |         |           |             |      |
| 14      | A000091508019 | SHS M8 x 18                         | 2    |         |           |             |      |
| 15      | A000092708000 | Spring washer                       | 2    |         |           |             |      |
| 16      | A000092508000 | Plain Washer                        | 2    |         |           |             |      |
| 17      | B008524920180 | Gasket - Flange                     | 1    |         |           |             |      |

KHANEJA MOTORS,

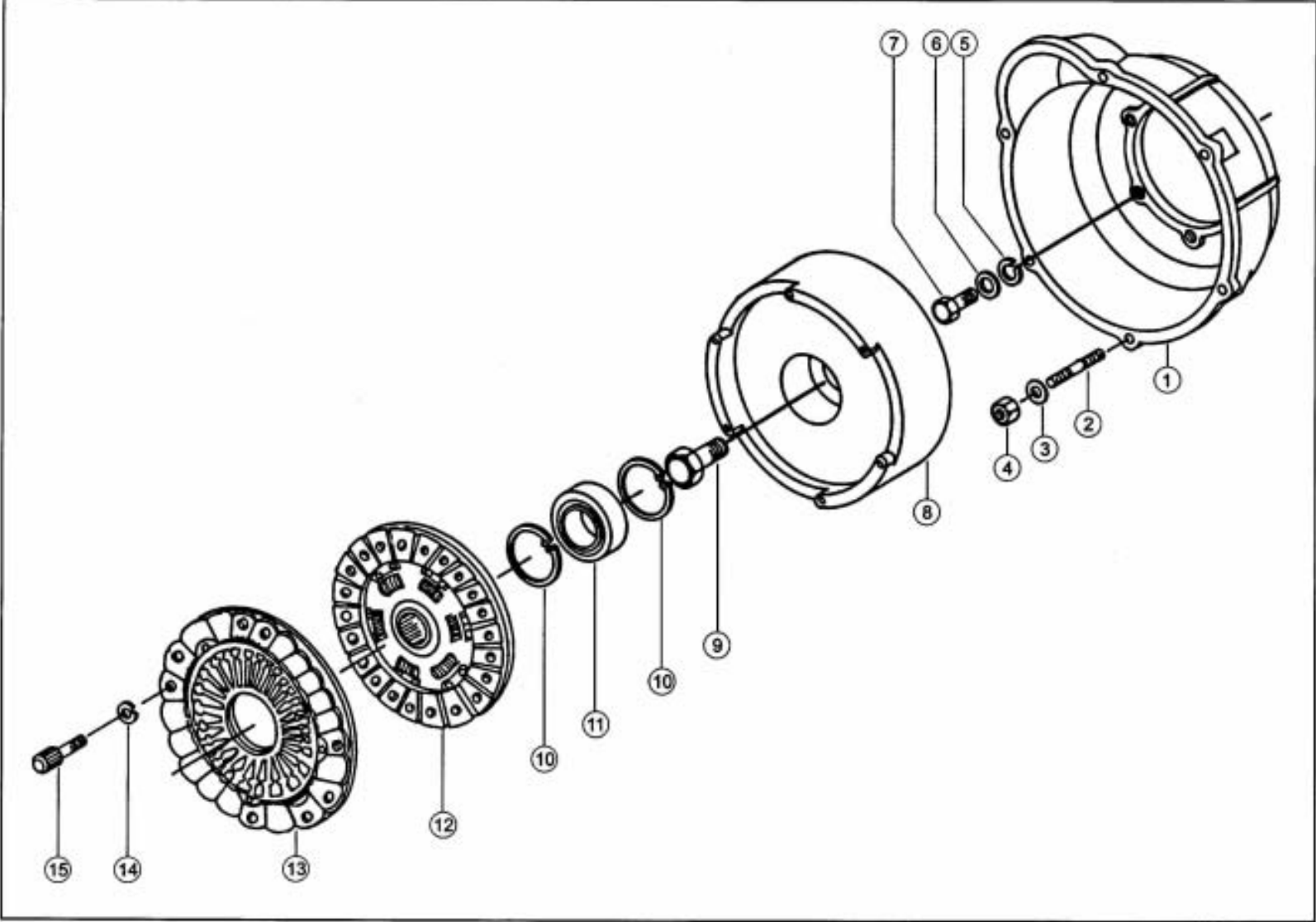
DELHI, INDIA

Mob: +919999679888

Email id: khanejamotors@gmail.com

**CLUTCH ASSEMBLY**

**Diagram No. 17**



| CLUTCH ASSEMBLY |               |                            |      |         |           | Diagram No-17 |      |
|-----------------|---------------|----------------------------|------|---------|-----------|---------------|------|
| Fig No.         | Part Code     | Description                | Qty. | Fig No. | Part Code | Description   | Qty. |
| 1               | B008032510301 | Bell Housing               | 1    |         |           |               |      |
| 2               | B008032510070 | Stud for Gear Box Mounting | 4    |         |           |               |      |
| 3               | A000092808000 | Wave Washer                | 4    |         |           |               |      |
| 4               | A000092108130 | Hex. Nut M8 x 1.5          | 4    |         |           |               |      |
| 5               | A000092708000 | Spring Washer B8           | 6    |         |           |               |      |
| 6               | A000092508000 | Plain Washer M8            | 6    |         |           |               |      |
| 7               | A000090308026 | Hex. Head Screw M8 x 25    | 6    |         |           |               |      |
| 8               | B008032520304 | Flywheel                   | 1    |         |           |               |      |
| -               | B008032500005 | Flywheel with Ring Gear    | 1    |         |           |               |      |
| -               | B008030320105 | Starter Gear Ring          | 1    |         |           |               |      |
| 9               | B008030310371 | Flanged Bolt               | 1    |         |           |               |      |
| 10              | C000472035000 | Circlip 35 x 1.5           | 2    |         |           |               |      |
| 11              | B008032500315 | Pilot Bearing              | 1    |         |           |               |      |
| 12              | B008032500503 | Clutch Plate dia 160 mm    | 1    |         |           |               |      |
| 13              | B008032500404 | Cover Assembly dia. 160 mm | 1    |         |           |               |      |
| 14              | A000092708000 | Spring Washer B8           | 6    |         |           |               |      |
| 15              | A000091508018 | Hex. Socket Bolt M8 x 18   | 6    |         |           |               |      |

KHANEJA MOTORS,

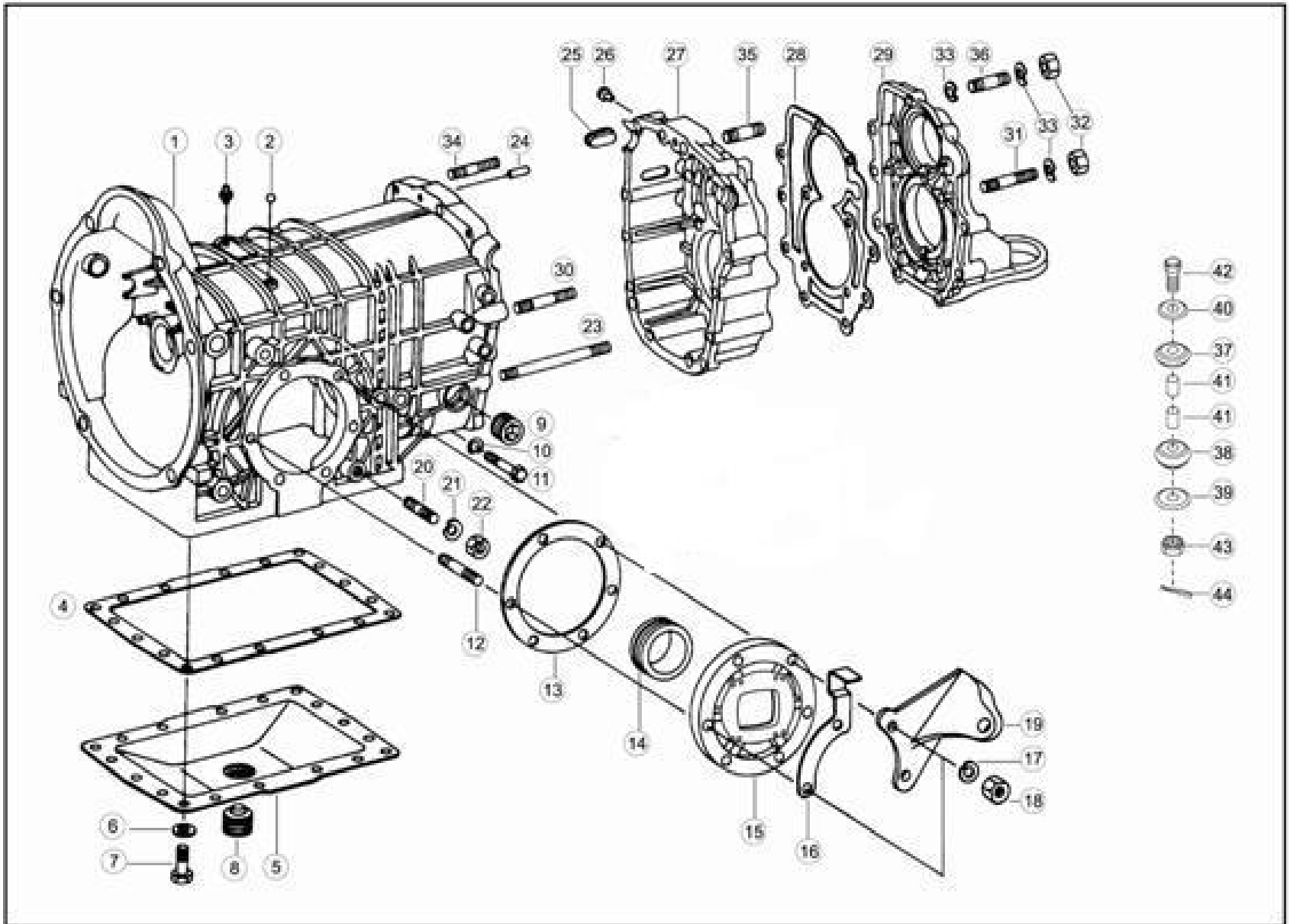
DELHI, INDIA

Mob: +919999679888

Email id: khanejamotors@gmail.com



# GEAR BOX HOUSING



| GEARBOX HOUSING |               |                                  |     |        |               |  |      |
|-----------------|---------------|----------------------------------|-----|--------|---------------|--|------|
| SR NO.          | PART CODE NO. | DESCRIPTION                      | QTY | SR NO. | PART CODE NO. | DESCRIPTION                            | QTY  |
| 1               | B008132602721 | Gear Box Housing                 | 1   | 20     | A000090010091 | Stud M10 x 90                          | 2    |
| 2               | A000022001052 | Steel Ball                       | 1   | 21     | A000092810000 | Wave Washer B10                        | 2    |
| 3               | A000022001062 | Breather Valve                   | 1   | 22     | A000092110152 | Hex. Nut M10                           | 2    |
| 4               | B008132610279 | Gasket for Bottom Cover          | 1   | 23     | No Code       | Stud M8 x 108                          | 2    |
| 5               | B008132600128 | Bottom Cover                     | 1   | 24     | A000022001102 | Dowel Pin 12 x 40                      | 2    |
| -               | A000020103132 | Bush for oil sump                | 1   | 25     | A000022001092 | Rubber Plug                            | 1    |
| 6               | A000092808000 | Wave Washer B8                   | 18  | 26     | A000022001082 | Rubber Plug                            | 2    |
| 7               | A000090308019 | Hex. Head Bolt M8 x 18           | 18  | 27     | No Code       | Intermediate Cover                     | NSSP |
| 8               | B001249970132 | Magnetic Drain Plug              | 1   | 28     | A000022001122 | Gasket End Cover                       | 1    |
| -               | C007603024105 | Sealing Ring for Drain Plug      | 1   | 29     | B008132610020 | End Cover                              | 1    |
| 9               | A000022001082 | Oil Filling Plug - Small         | 1   | 30     | A000091608100 | Stud M8 x 100                          | 6    |
| 10              | A000092808000 | Wave Washer B8                   | 1   | 31     | A000091808036 | Stud M8 x 38                           | 5    |
| 11              | A000022001193 | Bearing Retaining Screw          | 1   | 32     | A000092108130 | Hex Nut M8 x 1.25                      | 10   |
| 12              | A000091708030 | Stud M8 x 30                     | 10  | 33     | A000092808000 | Wave Washer                            | 10   |
| 13              | B008132610379 | Gasket for Side Flange           | 2   | 34     | A000022001193 | Stud M8 x 108                          | 3    |
| 14              | B008139811525 | Flange Bearing                   | 2   | 35     | A000091708050 | Stud M8 x 50                           | 1    |
| 15              | B008132610737 | SIDE FLANGE LH                   | 1   | 36     | A000091708030 | Stud M8 x 30                           | 1    |
| -               | B008132610837 | SIDE FLANGE RH                   | 1   | 37     | A000022085112 | Gear Box Mounting Silent Block - Upper | 1    |
| 16              | B008132610441 | Stopper Bkt. for Spring          | 1   | 38     | A000022085122 | Gear Box Mounting Silent Block - Lower | 1    |
| -               | A000092508000 | Plain Washer M8 for Stopper Bkt. | 4   | 39     | A000022085092 | Cup Washer                             | 1    |
| -               | A000092808000 | Wave Washer B8 for Stopper Bkt.  | 4   | 40     | A000022085082 | Cup Washer                             | 1    |
| -               | A000092108130 | Hex. Nut M8 x 1.25               | 4   | 41     | A000022085072 | Spacer Bush                            | 1    |
| 17              | A000092808000 | Wave Washer B8                   | 12  | 42     | A000022085102 | Special Screw M20                      | 1    |
| 18              | A000092108130 | Hex. Nut M8 x 1.25               | 12  | 43     | A000092420150 | Castle Nut M20 x 1.5                   | 1    |
| 19              | B008032510340 | Abutment Bkt.                    | 1   | 44     | A000094204040 | Split Pin                              | 1    |

KHANEJA MOTORS,

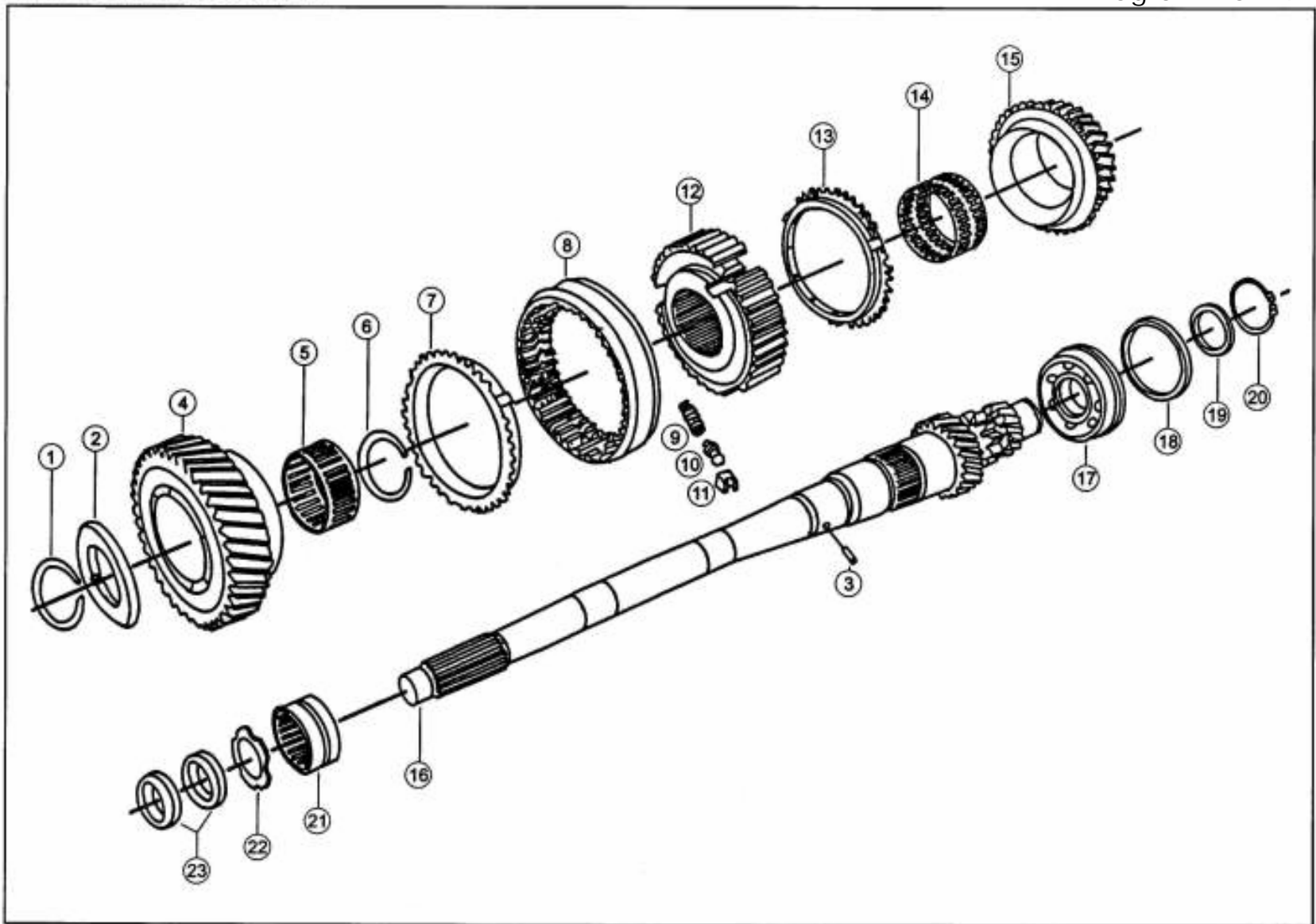
DELHI, INDIA

Mob : +919999679888

Email id: khanejamotors@gmail.com

# MAIN SHAFT ASSEMBLY

Diagram No. 19



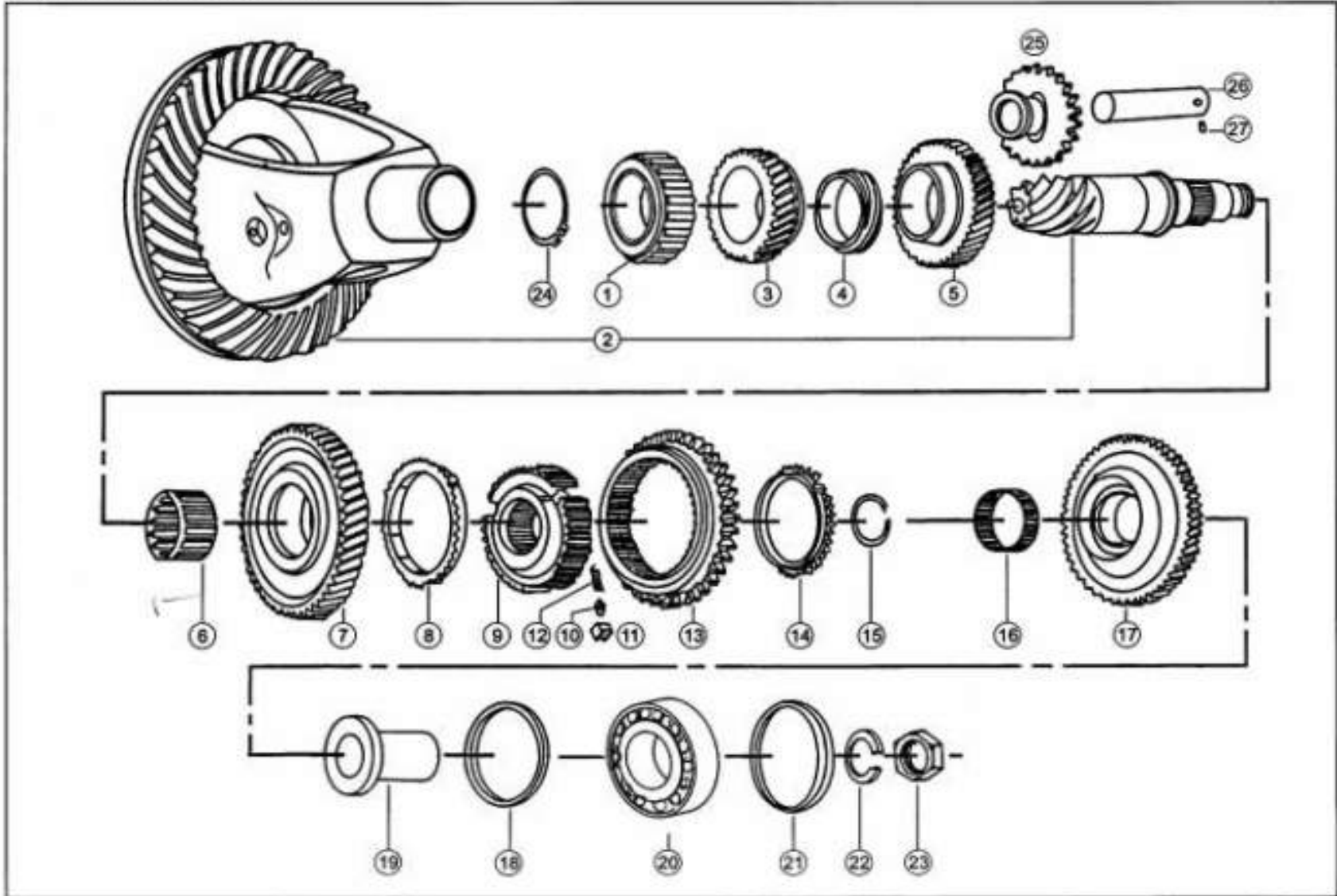
| MAINSHAFT ASSEMBLY |               |  |          | Diagram No-19 |               |                       |          |
|--------------------|---------------|--|----------|---------------|---------------|-----------------------|----------|
| Fig No.            | Part Code     | Description  | Qty.     | Fig No.       | Part Code     | Description           | Qty.     |
| 1                  | A000022010272 | Retaining Ring   | 1        | -             | B008132620252 | Shim 0.1 mm. Thick    | As Reqd. |
| 2                  | A000022010267 | Distance Washer 5.0 mm.  | As Reqd. | -             | B008132620352 | Shim 0.3 mm. Thick    | As Reqd. |
| -                  | A000022010257 | Distance Washer 5.1 mm.  | As Reqd. | -             | B008132620452 | Shim 0.5 mm. Thick    | As Reqd. |
| 3                  | A000093404016 | Dowel Pin 4 x 6  | 1        | -             | B008132620552 | Shim for Main Shaft   | As Reqd. |
| 4                  | B008132600142 | Gear Wheel - 4th Gear (Gear teeth 38 Nos)                      | 1        | 19            | B008139940035 | Snap Ring             | 1        |
| 5                  | A000022010202 | Needle Roller Bearing  | 1        | 20            | A000099420120 | Circlip 20 x 1.2      | 1        |
| 6                  | A000022010102 | Snap Ring  | 1        | 21            | A000022001022 | Needle Roller Bearing | 1        |
| 7                  | A000022010062 | Synchroniser Ring  | 1        | 22            | A000021030332 | Deflector             | 1        |
| 8                  | A000022010125 | Shifting Sleeve - 3rd & 4th Gear                               | 1        | 23            | A000022010412 | Oil Seal              | 2        |
| 9                  | A000022010142 | Pressure Spring  | 3        |               |               |                       |          |
| 10                 | A000022010152 | Locking Piece  | 3        |               |               |                       |          |
| 11                 | A000022010132 | Pressure Piece   | 3        |               |               |                       |          |
| 12                 | A000022010077 | Synchroniser Body  | 1        |               |               |                       |          |
| 13                 | A000022015555 | Moly Synchroniser Ring   | 1        |               |               |                       |          |
| 14                 | A000022010022 | Needle Cage  | 1        |               |               |                       |          |
| 15                 | B008132600442 | Gear Wheel - 3rd Gear - ( 4 S A/R -Teeth 32 nos.)              |          |               |               |                       |          |
| 16                 | B008132621005 | Minidor A/R -(4 Seater) (1st gear -15th & 2nd gear - 24 Teeeh) | 1        |               |               |                       |          |
| 17                 | B008139810025 | Ball Bearing   | 1        |               |               |                       |          |
| 18                 | B008132620752 | Spacer for Main Shaft 2.0 mm. Thick                            | As Reqd. |               |               |                       |          |
| -                  | B008132620852 | Spacer for Main Shaft 2.1 mm. Thick                            | As Reqd. |               |               |                       |          |
| -                  | B008132620952 | Spacer for Main Shaft 2.2 mm. Thick                            | As Reqd. |               |               |                       |          |

**KHANEJA MOTORS****DELHI, INDIA****Mob: +919999679888**

Email id: khanejamotors@gmail.com

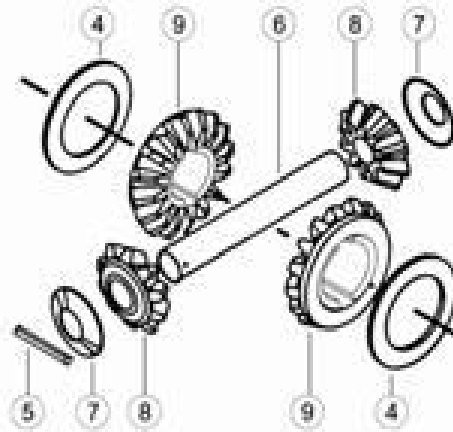
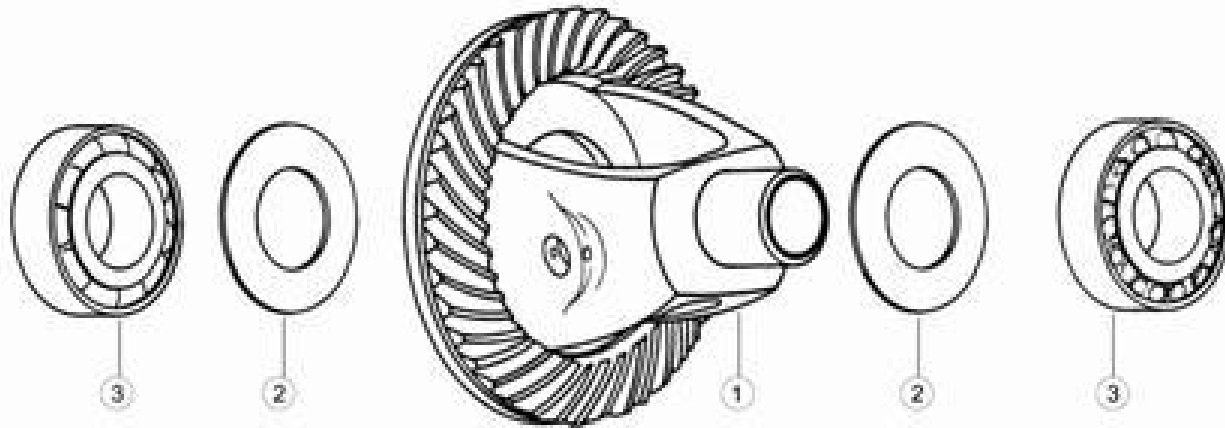
# LAY SHAFT ASSEMBLY

Diagram No. 20



| LAYSHAFT ASSEMBLY |               |   |          | Diagram No-20 |               |                             |          |
|-------------------|---------------|---|----------|---------------|---------------|-----------------------------|----------|
| Fig No.           | Part Code     | Description   | Qty.     | Fig No.       | Part Code     | Description                 | Qty.     |
| 1                 | B008139810210 | Roller Bearing Assembly                                     | 1        | 19            | B008132630023 | Sleeve                      | 1        |
| 2                 | B008132600309 | Crown Wheel & Pinion with Diff. Hsg.                        | 1        | 20            | B008139810225 | Oblique Ball Bearing        | 1        |
| 3                 | B008132630014 | Gear Wheel - 4th Gear (Gear teeth 33 Nos)                   | 1        | 21            | A000022015252 | Shim 89 x 70 x 1.0          | As Reqd. |
| 4                 | A000052040135 | Speedo-Drive Worm   | 1        | -             | A000022015262 | Shim 89 x 70 x 0.8          | As Reqd. |
| 5                 | B008132630213 | Gear Wheel - 3rd Gear - ( 4 Seater A/R) - (Teeth - 39 nos.) | 1        | -             | A000022015272 | Shim 89 x 70 x 0.6          | As Reqd. |
| 6                 | A000022015072 | Needle Cage   | 1        | -             | A000022015422 | Shim 89 x 70 x 0.1          | As Reqd. |
| 7                 | B008132630512 | Gear Wheel - 2rd Gear - (4 Seater A/R) (Teeth - 48 nos.)    | 1        | -             | A000022015432 | Shim 89 x 70 x 0.3          | As Reqd. |
| 8                 | A000022015555 | Moly Synchroniser Ring                                      | 1        | -             | A000022015432 | Shim 89 x 70 x 0.3          | As Reqd. |
| 9                 | A000022010077 | Synchroniser  | 1        | -             | A000022015452 | Shim 89 x 70 x 0.6          | As Reqd. |
| 10                | A000022010152 | Locking Piece   | 3        | -             | A000022015442 | Shim 89 x 70 x 0.5          | As Reqd. |
| 11                | A000022010132 | Pressure Piece  | 3        | 22            | B008132632752 | Lock Washer                 | 1        |
| 12                | A000022010142 | Pressure Spring   | 3        | 23            | A000022015232 | Hex. Nut (Left Hand Thread) | 1        |
| 13                | A000022015165 | Shifting Sleeve 1st & 2nd                                   | 1        | 24            | B008132634352 | Circlip 42 x 1.75           | 1        |
| 14                | A000022010062 | Synchroniser Ring (Threaded)                                | 1        | 25            | A000022020020 | Reverse Gear                | 1        |
| 15                | A000022010272 | Snap Ring   | 1        | 26            | A000022020017 | Reverse Gear Wheel Pin      | 1        |
| 16                | B008139810010 | Needle Cage   | 1        | 27            | A000093605008 | Dowel Pin 5 x 8             | 1        |
| 17                | B008132630211 | Gear Wheel - 1st (4 Seater) - (Teeth - 56 nos.)             | 1        |               |               |                             |          |
| 18                | B008132630052 | Shim - 1.9 mm.  | As Reqd. |               |               |                             |          |
| -                 | B008132631052 | Shim - 2.8 mm.  | As Reqd. |               |               |                             |          |
| -                 | B008132631152 | Shim - 2.9 mm.  | As Reqd. |               |               |                             |          |
| -                 | B008132631252 | Shim - 3.0 mm.  | As Reqd. |               |               |                             |          |
| -                 | A000022015322 | Shim 90 x 80 x 1.0 mm.                                      | As Reqd. |               |               |                             |          |
| -                 | A000022015332 | Shim 90 x 80 x 0.8 mm.                                      | As Reqd. |               |               |                             |          |
| -                 | A000022015342 | Shim 90 x 80 x 0.6 mm.                                      | As Reqd. |               |               |                             |          |
| -                 | A000022015352 | Shim 90 x 80 x 0.1 mm.                                      | As Reqd. |               |               |                             |          |
| -                 | A000022015362 | Shim 90 x 80 x 0.3 mm.                                      | As Reqd. |               |               |                             |          |
| -                 | A000022015372 | Shim 90 x 80 x 0.5 mm.                                      | As Reqd. |               |               |                             |          |

# DIFERENTIAL HOUSING & GEARS



| DIFFERENTIAL HOUSING AND GEARS |               |                               |          |         |           |             | Diagram No-21 |
|--------------------------------|---------------|-------------------------------|----------|---------|-----------|-------------|---------------|
| Fig No.                        | Part Code     | Description                   | Qty.     | Fig No. | Part Code | Description | Qty.          |
| 1                              | B008132600397 | Crown wheel & Pinion pair     | 1        |         |           |             |               |
| 2                              | B008132630052 | Shim 1.9 mm.                  | As Reqd. |         |           |             |               |
| -                              | B008132641052 | Shim 2.8 mm.                  | As Reqd. |         |           |             |               |
| -                              | B008132641152 | Shim 2.9 mm.                  | As Reqd. |         |           |             |               |
| -                              | B008132641252 | Shim 3.0mm.                   | As Reqd. |         |           |             |               |
| 3                              | B008139811525 | Ball Bearing                  | 3        |         |           |             |               |
| 4                              | B008132610152 | Shim 0.2 mm for diff bearing  | As Reqd. |         |           |             |               |
| -                              | B008132610252 | Shim 0.3 mm for diff bearing  | As Reqd. |         |           |             |               |
| -                              | B008132610352 | Shim 0.5 mm for diff bearing  | As Reqd. |         |           |             |               |
| -                              | B008132610452 | Shim 0.1 mm for diff bearing  | As Reqd. |         |           |             |               |
| -                              | B008132610552 | Shim 0.15 mm for diff bearing | As Reqd. |         |           |             |               |
| 5                              | C00148006008  | Clamping Sleeve 6 x 45        | 1        |         |           |             |               |
| 6                              | B008132630121 | Differential Pin              | 1        |         |           |             |               |
| 7                              | B001153530324 | Spherical Washer              | 2        |         |           |             |               |
| 8                              | B001073530014 | Differential Gear             | 2        |         |           |             |               |
| 9                              | B008132630215 | Axle Bevel Gear               | 2        |         |           |             |               |

**KHANEJA MOTORS,**

**DELHI, INDIA**

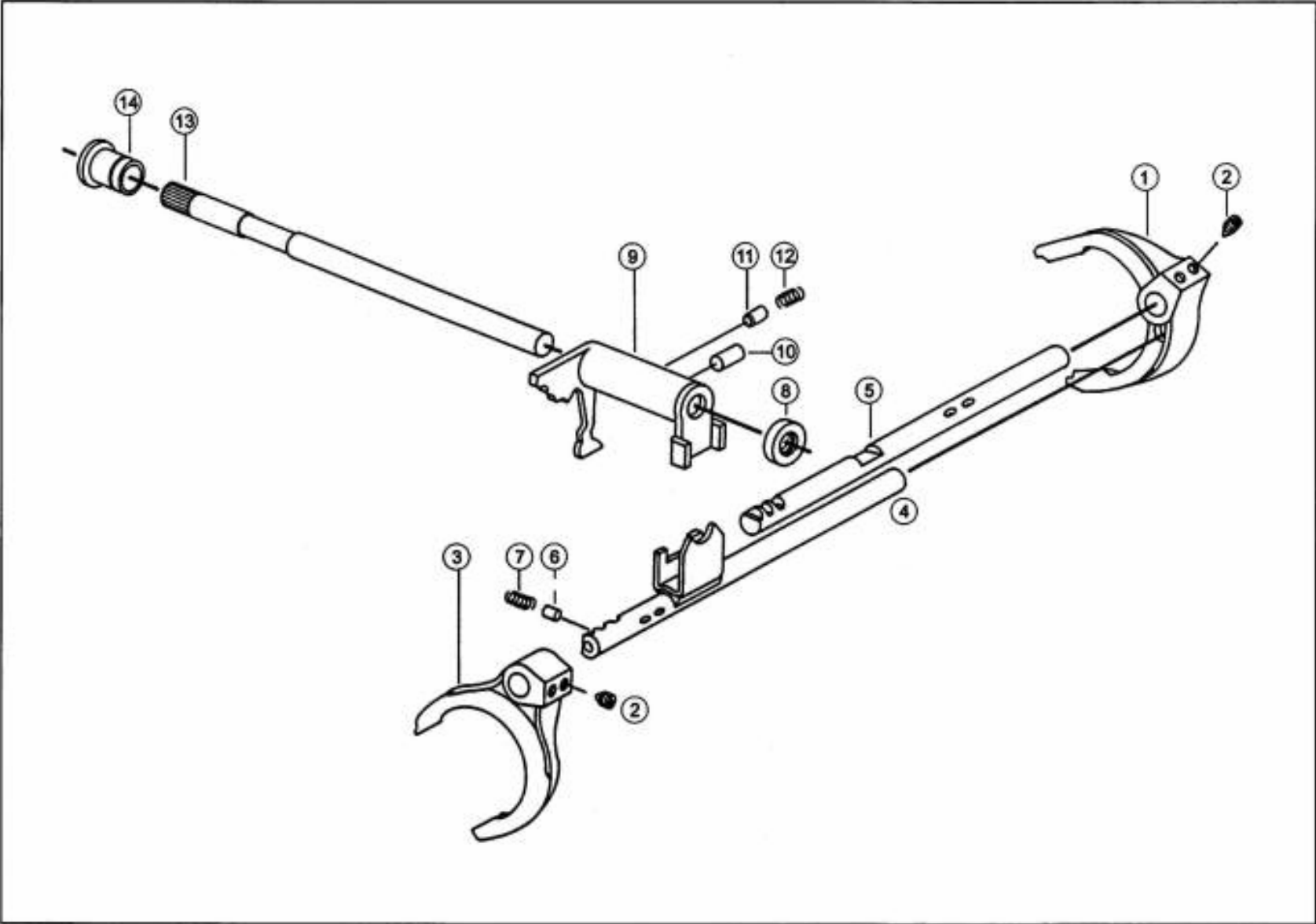
**Mob: +919999679888**

Email id: khanejamotors@gmail.com



**GEAR SHIFTER MECHANISM**

Diagram No. 22



**GEAR SHIFTER MECHANISM**

Diagram No-22

| Fig No. | Part Code     | Description                           | Qty. | Fig No. | Part Code | Description | Qty. |
|---------|---------------|---------------------------------------|------|---------|-----------|-------------|------|
| 1       | B008132650301 | Shifting Fork 3rd & 4th               | 1    |         |           |             |      |
| 2       | A000022030052 | Threaded pin M10x1x12 mm              | 4    |         |           |             |      |
| 3       | B008132650201 | Shifting Fork 1st & 2nd               | 1    |         |           |             |      |
| 4       | B008132600038 | Shifting Rail 1st & 2nd               | 1    |         |           |             |      |
| 5       | B008132650405 | Shifting Rail 3rd & 4th               | 1    |         |           |             |      |
| 6       | A000022030092 | Sliding Block                         | 1    |         |           |             |      |
| 7       | A000022030432 | Pressure Spring                       | 2    |         |           |             |      |
| 8       | A000022030142 | Oil Seal                              | 2    |         |           |             |      |
| 9       | A000022030170 | Assly. Shifter Lever for Reverse Gear | 1    |         |           |             |      |
| 10      | A000022030227 | Stopper Pin for Reverse Gear          | 1    |         |           |             |      |
| 11      | A000022030232 | Sliding Pin                           | 1    |         |           |             |      |
| 12      | A000022030212 | Pressure Spring                       | 1    |         |           |             |      |
| 13      | A000022030100 | Shifting Shaft                        | 1    |         |           |             |      |
| -       | B008132600182 | Shifting shaft assly complete.        | 1    |         |           |             |      |
| 14      | A000022030132 | Bush for Shifting Shaft               | 2    |         |           |             |      |

**KHANEJA MOTORS****DELHI, INDIA****Mob: +919999679888**

Email id: khanejamotors@gmail.com

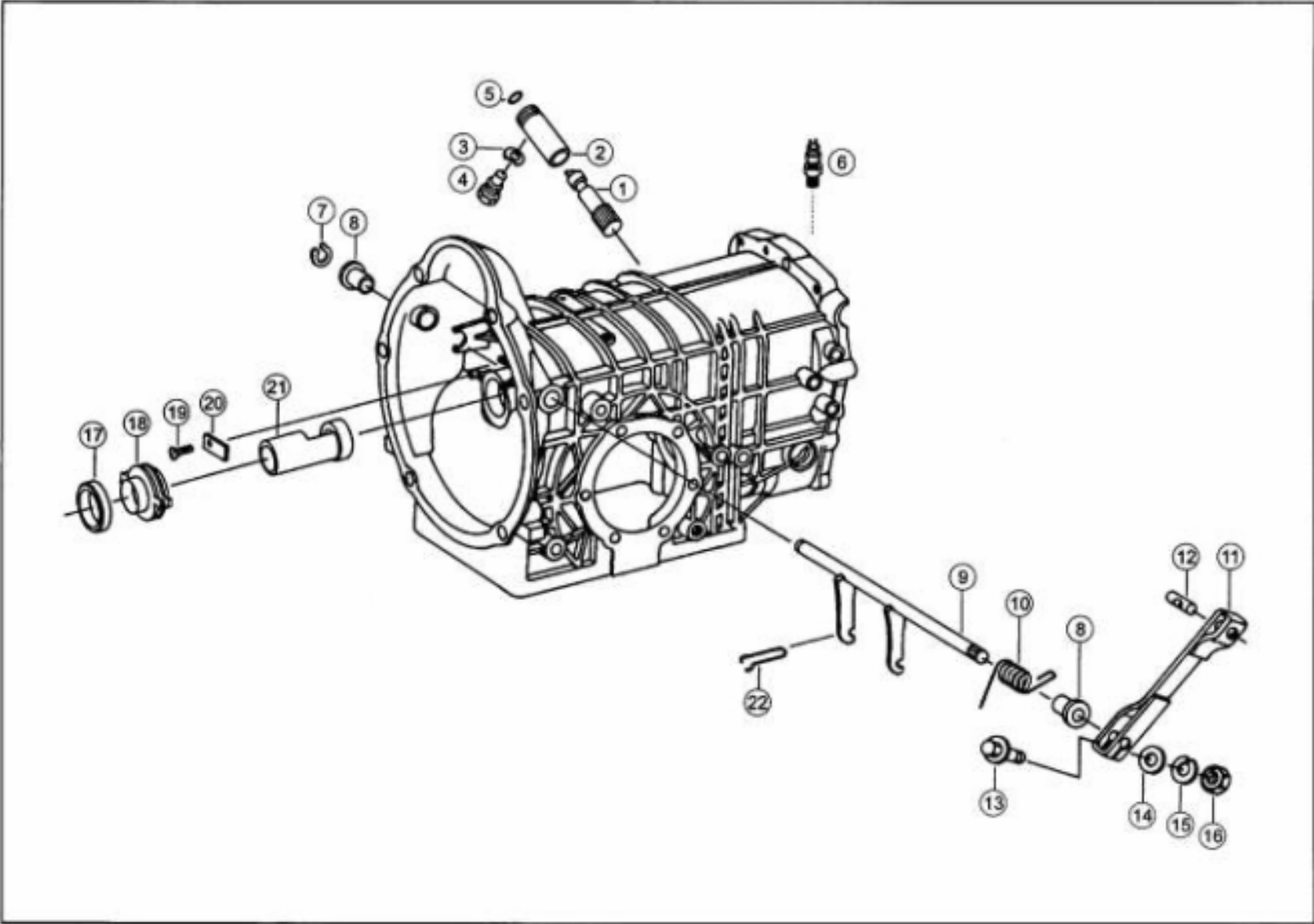


| GEAR CHANGE MECHANISM |               |                               |      |         |               |  | Diagram No-23 |
|-----------------------|---------------|-------------------------------|------|---------|---------------|--|---------------|
| Fig No.               | Part Code     | Description                   | Qty. | Fig No. | Part Code     | Description                                | Qty.          |
| 1                     | A000022030550 | Gear Shifter Rod Assly.       | 1    | 25      | A000092108130 | Hex. Nut M8 x 1.25                         | 4             |
| 2                     | B008132680042 | Knob for Shifter Rod          | 1    | 26      | B008132670497 | Rubber Boot                                | 1             |
| 3                     | A000092110152 | Hex. Nut M10 x 1.5            | 1    | 27      | B008132600081 | Clamp Assly. for Cross                     | 2             |
| 4                     | A000022030662 | Rubber Bellow                 | 1    | 28      | A000090108041 | Hex. Head Bolt M8 x 40                     | 2             |
| 5                     | A000022030302 | Rubber Bellow                 | 1    | 29      | A000094608125 | Nyloc Nut M8                               | 2             |
| 6                     | A000022030162 | Plastic Bush                  | 2    | 30      | B008132670031 | Nylon Cross                                | 2             |
| 7                     | B008132670730 | Shifting Socket               | NSSP | 31      | B008139970040 | 'O' Ring for Cross                         | 8             |
| 8                     | A000094532150 | Circlip 32 x 1.5              | 1    | 32      | B008139900171 | Bolt for Nylon Cross                       | 4             |
| 9                     | A000022030312 | Bush                          | 2    | -       | A000092506000 | Plain Washer M6                            | 4             |
| 10                    | A000020130286 | Distance Washer 20.5 x 30 x 1 | 2    | 33      | A000099130021 | Nyloc Nut for Cross                        | 4             |
| 11                    | A000090008051 | Hex. Head Bolt M8 x 50        | 3    | 34      | B008132601839 | Tube Assly.                                | 1             |
| 12                    | A000092708000 | Spring Washer B8              | 3    | 35      | B008139950111 | Bellow Clip                                | 2             |
| 13                    | A000022030525 | Gear Shift Bracket            | 1    | 36      | B008132670197 | Rubber Boot                                | 1             |
| 14                    | A000092508000 | Plain Washer M8               | 3    | 37      | A000092708000 | Spring Washer                              | 1             |
| 15                    | A000092108130 | Hex. Nut M8                   | 3    | 38      | A000092106102 | Hex. Nut                                   | 1             |
| 16                    | B008132601439 | Front Shaft Assly.            | 1    | 39      | A000090306021 | Hex. Head Screw M6 x 20                    | 1             |
| 17                    | B008139950011 | Bellow Clip                   | 2    | 40      | A000092706000 | Spring Washer B6                           | 1             |
| 18                    | B008132670197 | Rubber Boot                   | 1    | 41      | B008132670241 | Support Strip for Rear Guide Abutment Bkt. | 1             |
| 19                    | A000021030052 | Bush                          | 2    | 42      | B008132600603 | Rear Guide Abutment Bkt.                   | 1             |
| 20                    | B008132601103 | Guide Tube - Front            | 1    | 43      | A000090108041 | Hex. Head Bolt M8 x 35                     | 1             |
| 21                    | A000090308026 | Hex. Head Screw M8 x 25       | 4    | 44      | B008132670497 | Rubber Boot                                | 1             |
| 22                    | B008132670010 | Plate                         | 1    | 45      | B008132600405 | Rear Shaft                                 | 1             |
| 23                    | A000092508000 | Plain Washer M8               | 4    | 46      | A000090008036 | Hex. Head Bolt M8 x 35                     | 2             |
| -                     | B008132670110 | Plate                         | 1    | 47      | A000092708000 | Spring Washer B8                           | 2             |
| -                     | B008132670210 | Plate                         | 1    | 48      | A000023020812 | Grease Nipple                              | 2             |
| -                     | B008132670310 | Plate                         | 1    | 49      | A000022030132 | Bush For Shifting Shaft                    | 1             |
| -                     | B008132670410 | Plate                         | 1    | 50      | A000092508000 | Plain Washer                               | 2             |
| 24                    | A000092708000 | Spring Washer B8              | 4    |         |               |  |               |

**KHANEJA MOTORS****DELHI, INDIA****Mob: +919999679888**

Email id: khanejamotors@gmail.com

**SPEEDO DRIVE AND CLUTCH RELEASE MECHANISM**



**SPEEDO DRIVE AND CLUTCH RELEASE MECHANISM**

Diagram No-24

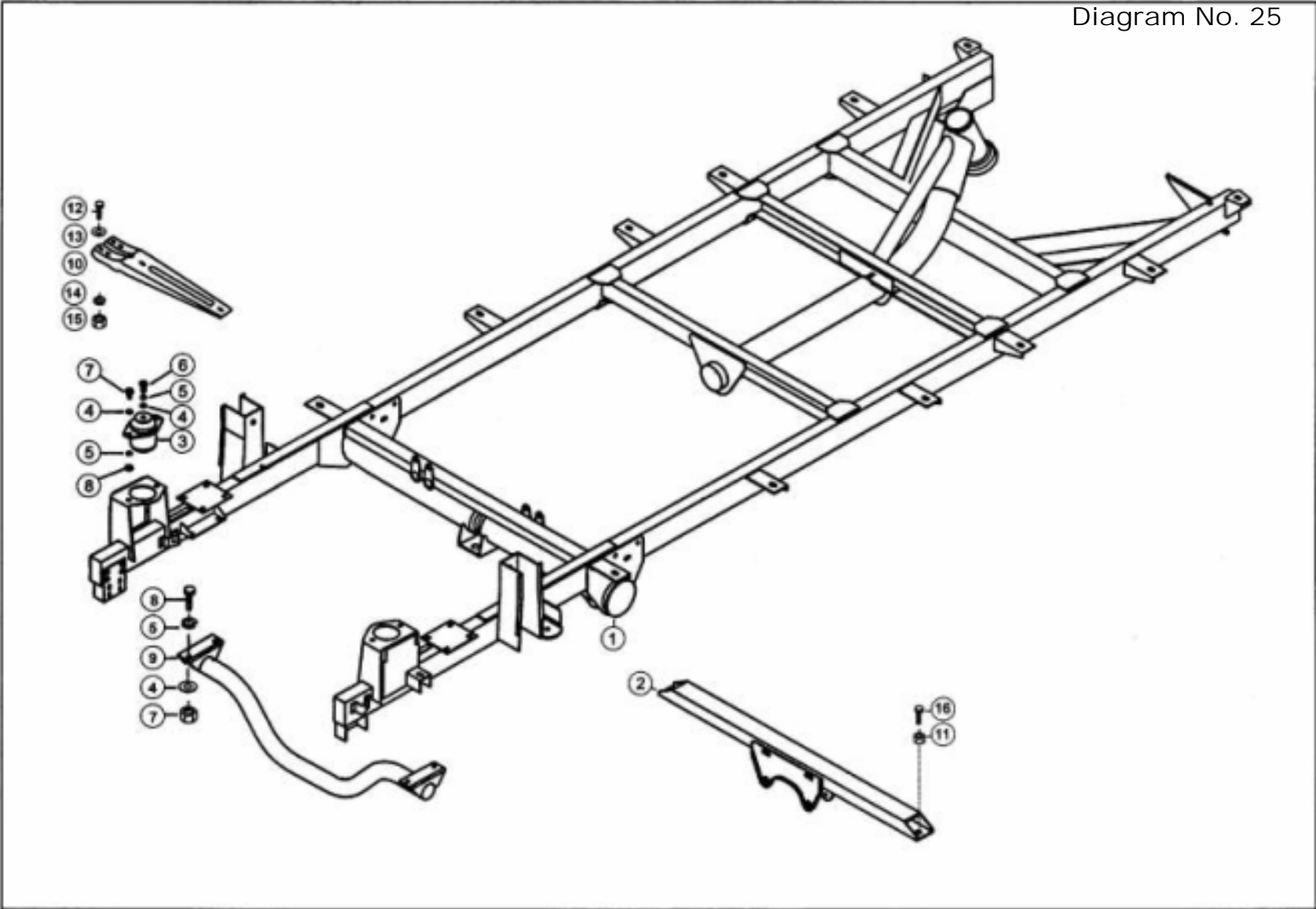
| Fig No. | Part Code     | Description                                      | Qty. | Fig No. | Part Code     | Description                    | Qty. |
|---------|---------------|--|------|---------|---------------|--------------------------------|------|
| 1       | A000052040125 | Speedo-Drive Sprocket                            | 1    | 20      | A000021030662 | Clamping Piece 3.0 mm. Thick   | 1    |
| 3       | A000092810000 | Wave Washer 10 $\emptyset$                       | 1    | 21      | B008132610043 | Sleeve for Clutch Release Brg. | 1    |
| 4       | A000022040042 | Screw M10 x 20                                   | 1    | 22      | B008522950017 | Lock                           | 2    |
| 5       | A000022040032 | Oil Seal 10 $\emptyset$ x 15.5 $\emptyset$ x 3/1 | 1    |         |               |                                |      |
| 6       | B008525450111 | Reverse Light Switch                             | 1    |         |               |                                |      |
| 7       | No Code       | Lock Circlip                                     | 1    |         |               |                                |      |
| 8       | A000021030052 | Sintered bush for clutch released shaft          | 1    |         |               |                                |      |
| 9       | B008032500014 | Clutch Release Shaft                             | 1    |         |               |                                |      |
| 10      | B008039930201 | Spring for De-clutch Lever                       | 1    |         |               |                                |      |
| 11      | B008032520038 | De-Clutch Lever                                  | 1    |         |               |                                |      |
| 12      | B008522950074 | Pin  | 1    |         |               |                                |      |
| -       | B008522950048 | Hex. Nut   | 1    |         |               |                                |      |
| 13      | C914126008001 | Screw M8 x 40                                    | 1    |         |               |                                |      |
| 14      | A000092508000 | Plain Washer M8                                  | 1    |         |               |                                |      |
| 15      | A000092708000 | Spring Washer B8                                 | 1    |         |               |                                |      |
| 16      | A000092108130 | Hex. Nut M8 x 1.25                               | 1    |         |               |                                |      |
| 17      | B008032500215 | Clutch Release Bearing                           | 1    |         |               |                                |      |
| 18      | B008032520126 | Retainer for Bearing                             | 1    |         |               |                                |      |
| 19      | A000091006012 | Lense Head Screw M6 x 12                         | 1    |         |               |                                |      |

**KHANEJA MOTORS****DELHI, INDIA****Mob: +919999679888**

Email id: khanejamotors@gmail.com

**CHASSIS FRAME & MOUNTINGS**

Diagram No. 25



| CHASSIS FRAME & MOUNTINGS |               |  |      |         |           | Diagram No-25 |      |
|---------------------------|---------------|--|------|---------|-----------|---------------|------|
| Fig No.                   | Part Code     | Description                                  | Qty. | Fig No. | Part Code | Description   | Qty. |
| 1                         | B008523109601 | Chassis Frame assly.-Minidor-A/R (4+D) - LHD | 1    |         |           |               |      |
| 2                         | B008522400002 | Cross Member Assly. - Engine Mounting        | 1    |         |           |               |      |
| 3                         | B008522400817 | Engine Mounting                              | 2    |         |           |               |      |
| 4                         | A000092510000 | Plain Washer M10                             | 10   |         |           |               |      |
| 5                         | A000092710000 | Spring Washer B10                            | 10   |         |           |               |      |
| 6                         | A000090310028 | Hex. Head Bolt M10 x 25                      | 4    |         |           |               |      |
| 7                         | A000090310020 | Hex. Head Bolt M10 x 20                      | 12   |         |           |               |      |
| 8                         | A000092110152 | Nut M10 x 1.5                                | 16   |         |           |               |      |
| 9                         | B008523100305 | Engine Guard                                 | 1    |         |           |               |      |
| 10                        | B008523100405 | Rear Seat Cross Member - A/R                 | 1    |         |           |               |      |
| 11                        | B008523120504 | Cross Member - P/U                           | 1    |         |           |               |      |
| 12                        | A000090308020 | Hex. Head Bolt M8 x 20                       | 8    |         |           |               |      |
| 13                        | A000092508000 | Plain Washer                                 | 8    |         |           |               |      |
| 14                        | A000092708000 | Spring Washer B8                             | 8    |         |           |               |      |
| 15                        | A000092308130 | Nut  | 8    |         |           |               |      |
| 16                        | B008523100505 | Cross Member Assly. (Radiator Mtg.) - A/R    | 1    |         |           |               |      |

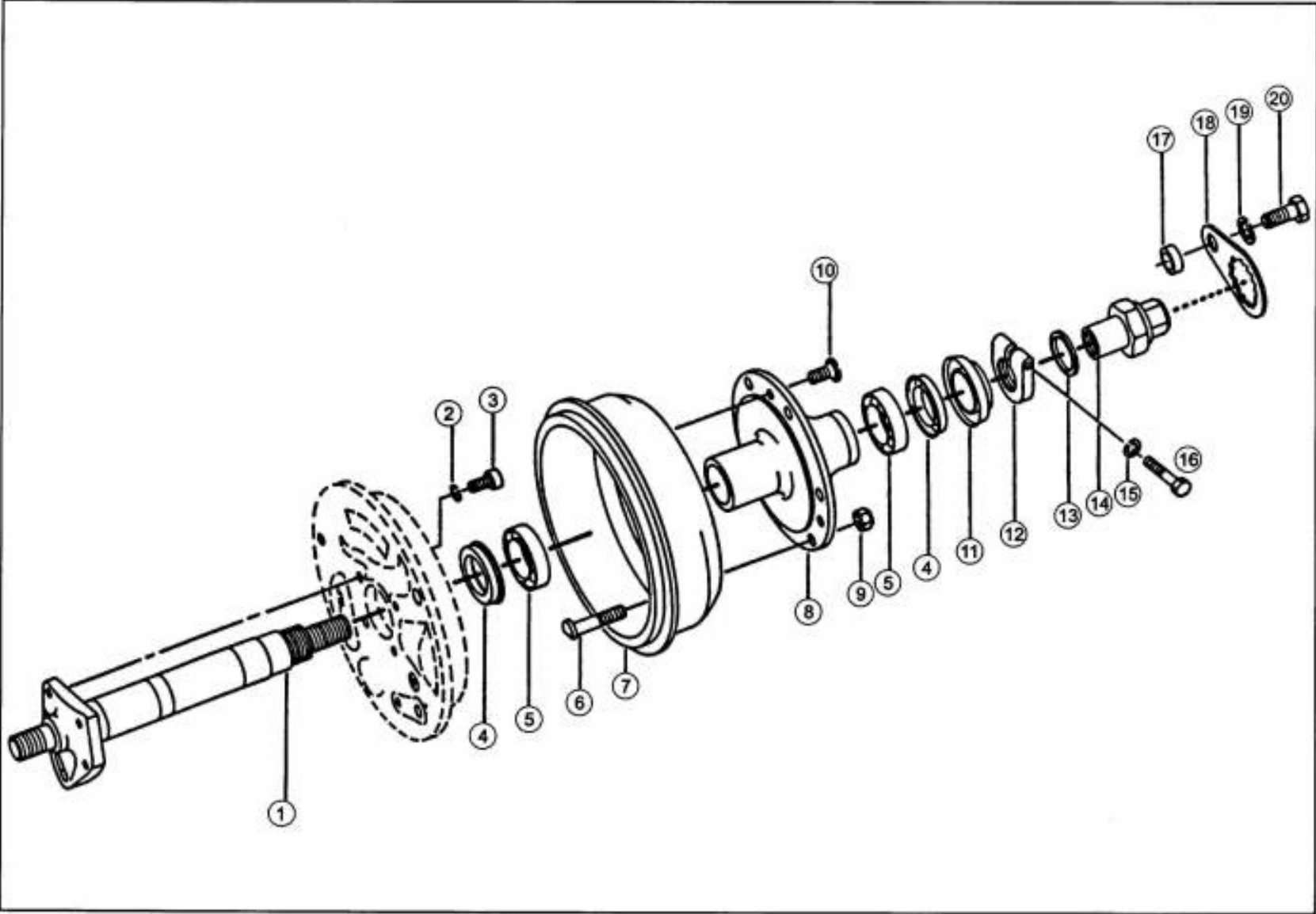
**KHANEJA MOTORS****DELHI, INDIA****Mob: +919999679888**

Email id: khanejamotors@gmail.com



**FRONT AXLE**

Diagram No. 26

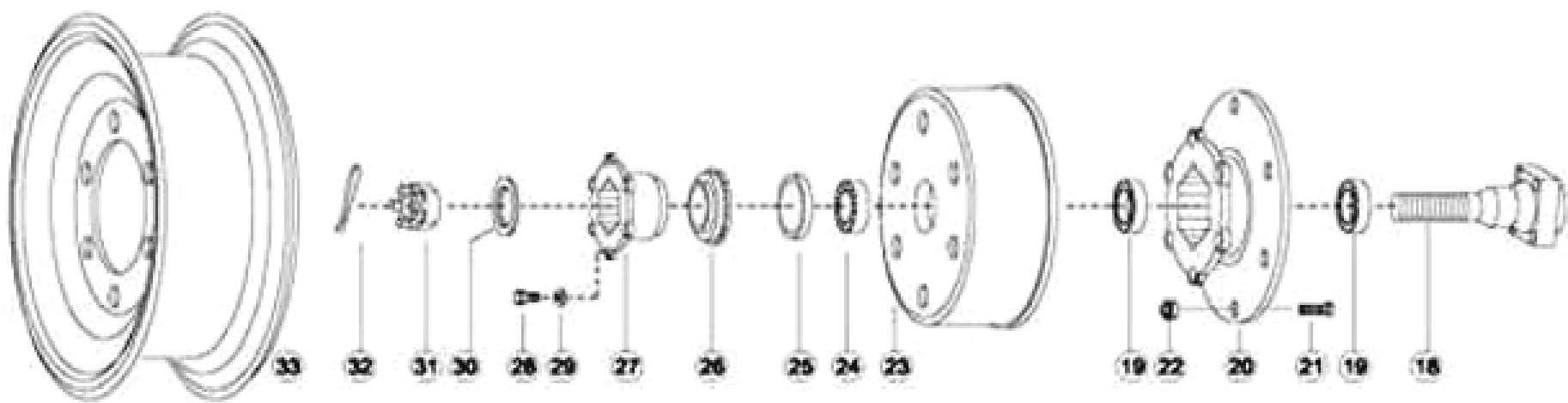
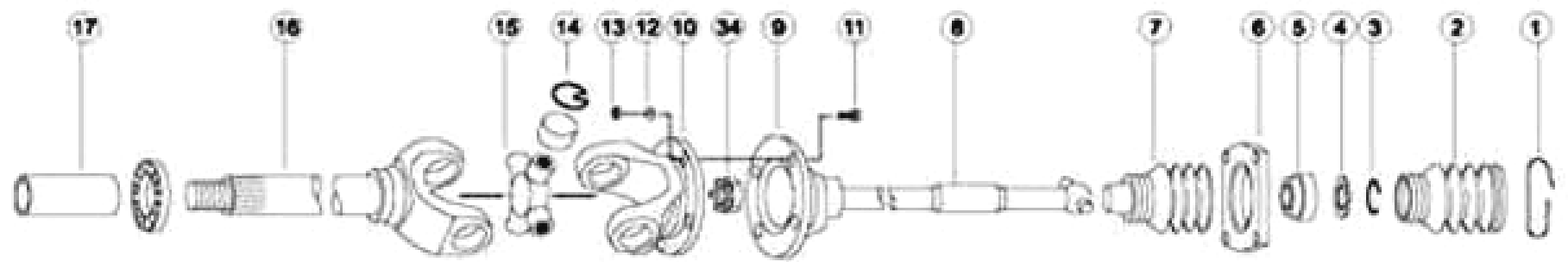


| FRONT AXLE |               |                               |      |         |           | Diagram No-26 |      |
|------------|---------------|-------------------------------|------|---------|-----------|---------------|------|
| Fig No.    | Part Code     | Description                   | Qty. | Fig No. | Part Code | Description   | Qty. |
| 1          | B008183310201 | Stub Axle (Modified)          | 1    |         |           |               |      |
| 2          | A000092710000 | Spring Washer                 | 4    |         |           |               |      |
| 3          | A000091510015 | Allen Screw                   | 4    |         |           |               |      |
| 4          | A000000901072 | Oil Seal                      | 2    |         |           |               |      |
| 5          | C000625006206 | Ball Bearing 30 x 62 x 16     | 2    |         |           |               |      |
| 6          | B008183340170 | Wheel Bolt (5 Hole RPM)       | 5    |         |           |               |      |
| 7          | B008184210201 | Brake Drum                    | 1    |         |           |               |      |
| 8          | B008183340201 | Wheel Hub                     | 1    |         |           |               |      |
| 9          | B008183340272 | Wheel Nut                     | 4    |         |           |               |      |
| 10         | A000091108015 | Counter Sunk Screw            | 2    |         |           |               |      |
| 11         | B008183310050 | Bush Assembly                 | 1    |         |           |               |      |
| -          | B008183340252 | Spacer                        | 1    |         |           |               |      |
| 12         | B008183340011 | Bearing Bolt Clamp            | 1    |         |           |               |      |
| 13         | B008183340052 | Spacer                        | 2    |         |           |               |      |
| 14         | B008183340372 | Cap Nut                       | 2    |         |           |               |      |
| 15         | A000092706000 | Spring Washer                 | 2    |         |           |               |      |
| 16         | A000091506030 | Socket Head Cap Screw M6 x 30 | 1    |         |           |               |      |
| 17         | B008523220152 | Spacer                        | 2    |         |           |               |      |
| 18         | B008189940060 | Lock Washer                   | 2    |         |           |               |      |
| 19         | A000092706000 | Spring Washer                 | 2    |         |           |               |      |
| 20         | A000090306014 | Hex. Head Screw M6 x 15       | 2    |         |           |               |      |
|            | B008183340027 | Spacer                        | 1    |         |           |               |      |

**KHANEJA MOTORS****DELHI, INDIA****Mob: +919999679888**

Email id: khanejamotors@gmail.com

# REAR AXLE

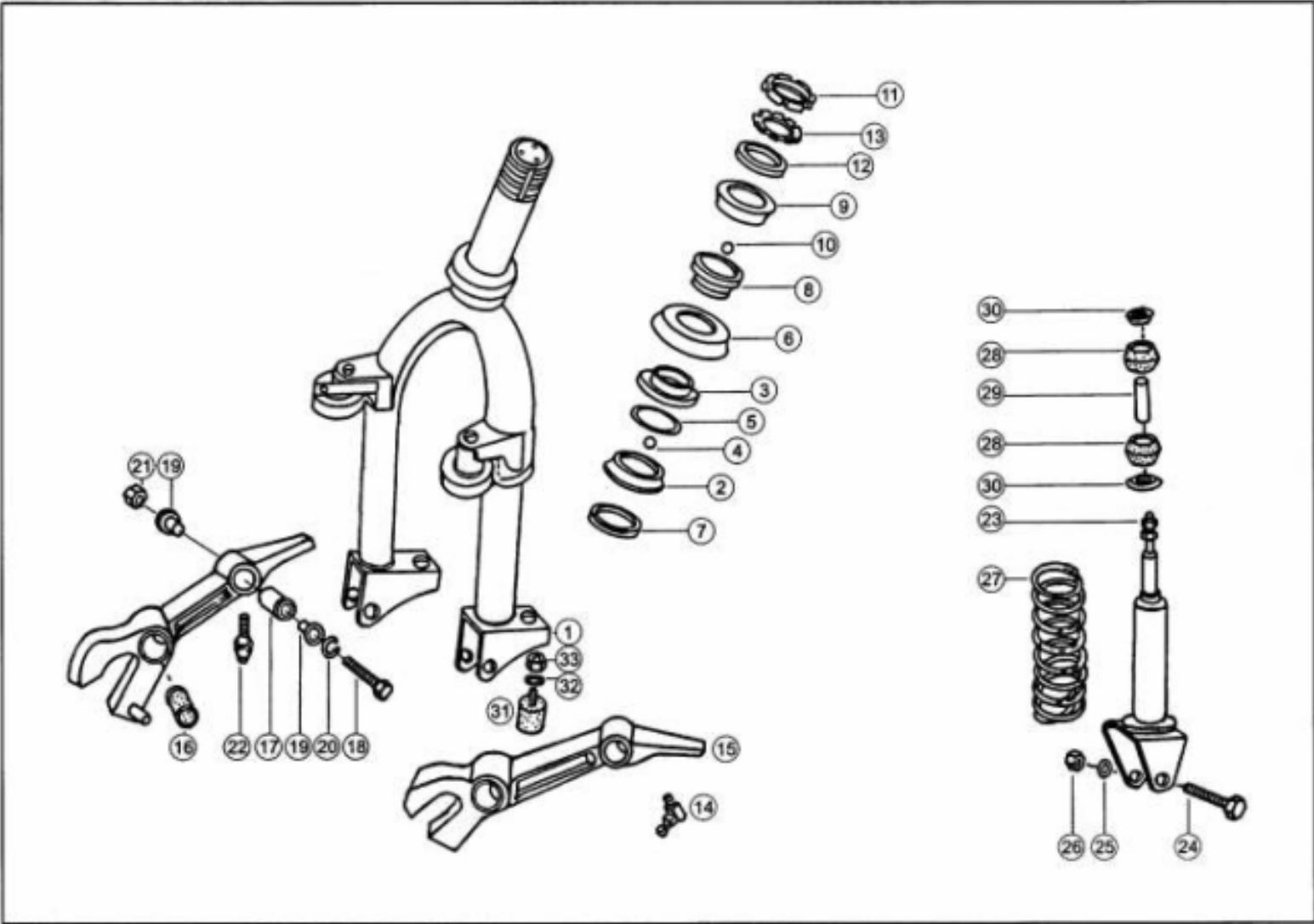


| REAR AXLE |               |   |         |        |               |                         |          |
|-----------|---------------|---|---------|--------|---------------|-------------------------|----------|
| SR NO.    | PART CODE NO. | DESCRIPTION   | QTY     | SR NO. | PART CODE NO. | DESCRIPTION             | QTY      |
| 1         | B008379950011 | Retaining clip  | 2       | 23     | B008184210201 | Brake drum              | 2        |
| 2         | B008379970197 | Outer Bellow  | 2       | 24     | A000023020412 | T.R. Bearing            | 2        |
| 3         | B008132610441 | Stopper spring  | 2       | -      | A000023020542 | Oil seal                | As Reqd. |
| 4         | B008373510052 | Splined washer  | 2       | 25     | A000023020512 | Thrust washer           | 2        |
| 5         | B008373570850 | L.H. Bush for Bellow  | 2       | 26     | A000023021552 | Slotted nut             | 2        |
| -         | B008139970147 | Oil seal  |         | 27     | B008373510015 | Drive flange            | 2        |
| 6         | B008139970015 | Bellow flange   | 2       | 28     | A000090308026 | Hex. Head Screw         | 12       |
| 7         | B008379970097 | Inner Bellow  | 2       | 29     | A000092708000 | Spring washer           | 12       |
| 8         | B008373571601 | Yoke Shaft  | 2       | 30     | B008373571352 | Washer (rear axle)      | 2        |
| -         | B008373501905 | Intermediate shaft assly  | 2       | 31     | A000092420150 | Castle nut              | 2        |
| 9         | B008373570715 | Coupling Flange   | 2       | 32     | A000094204040 | Split pin               | 2        |
| 10        | B008373570215 | Flange yoke   | 2       | 33     | B008524000302 | Wheel rim               | 3        |
| 11        | A000053028122 | Special screw M 10 X 27   | 2       | 34     | No Code       | locking nut             | 2        |
| 12        | A000092710000 | Spring washer   | 8       | 35     | B008379810001 | ball bearing            | 2        |
| 13        | C070615010006 | Hex nut M 10 X 1  | 8       | 36     | B008132610452 | 0.1 THICKNESS (Shims)   | 5        |
| 14        | B008379970035 | Circlip   | 8       | -      | B008132610552 | 0.15 THICKNESS          | 5        |
| 15        | B008373570031 | U J cross   | 16      | -      | B008132610152 | 0.20 THICKNESS          | 5        |
| 16        | B008373501510 | Yoke Shaft Assly with Wheel end Assly (Con of 10 to 16 fig no.) | 2       | -      | B008132610252 | 0.30 THICKNESS          | 5        |
| 17        | B008373570152 | Distance sleeve   | 2       | -      | B008132610352 | 0.50 THICKNESS          | 5        |
| 18        | B008373530201 | Stub axle   | 2       | 37     | B008132636852 | 1.25 THICKNESS (spacer) | 5        |
| 19        | A000023020542 | OIL SEAL  | 2       | -      | B008132636952 | 1.30 THICKNESS          | 5        |
| -         | A000023020412 | T.R. Bearing  | 4       | -      | B008132637052 | 1.35 THICKNESS          | 5        |
| 20        | B008373560401 | Rear wheel hub  | As Reqd | -      | B008132637152 | 1.40 THICKNESS          | 5        |
| 21        | B008183340170 | Wheel bolt  | 2       | -      | B008132637252 | 1.45 THICKNESS          | 5        |
| 22        | B008183340272 | Wheel nut   | 10      |        |               |                         |          |

**KHANEJA MOTORS****DELHI, INDIA****Mob: +919999679888**Email id: [khanejamotors@gmail.com](mailto:khanejamotors@gmail.com)

**FRONT SUSPENSION**

Diagram No. 28



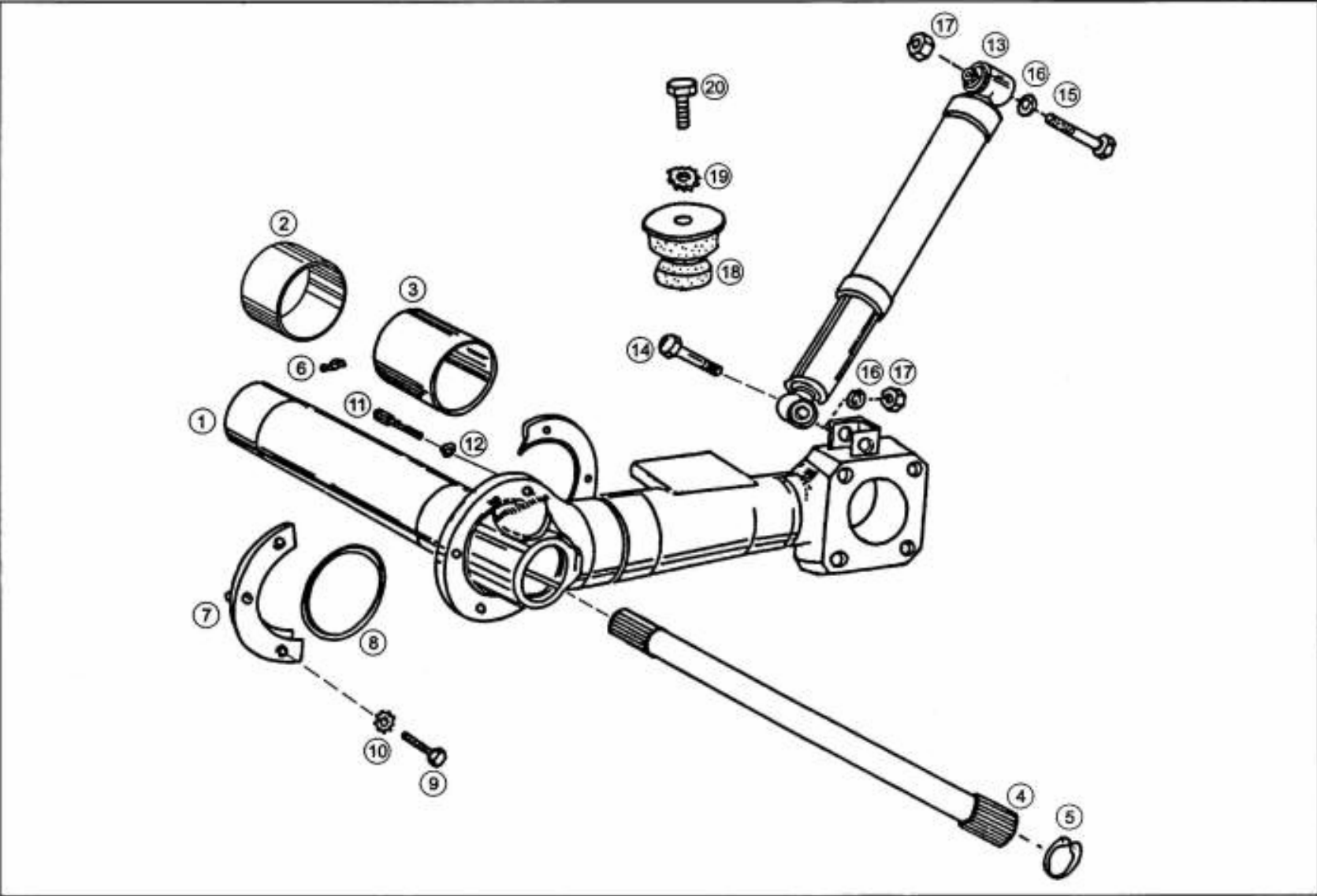
**FRONT SUSPENSION**

Diagram No-28

| Fig No. | Part Code     | Description                        | Qty. | Fig No. | Part Code     | Description                                | Qty. |
|---------|---------------|------------------------------------|------|---------|---------------|--|------|
| 1       | B008523200863 | Front Fork Assy.                   | 1    | 24      | A000090012065 | Hex. Bolt M12 x 65                         | 2    |
| 2       | B008523220320 | Bearing Lower Race (Lower Bearing) | 1    | 25      | A000092712000 | Spring Washer                              | 2    |
| 3       | B008523220520 | Bearing Upper Race                 | 1    | 26      | A000092112152 | Hex. Nut M12 x 1.5                         | 2    |
| 4       | B000019813385 | Stud Ball $\varnothing$ 9.2 mm.    | 27   | 27      | B008523220501 | Front Suspension Spring (Short Wheel Base) | 2    |
| 5       | B008523220049 | Seal                               | 1    | 28      | B008523210392 | Rubber                                     | 4    |
| 6       | B008523220235 | Cup                                | 1    | 29      | B008523220253 | Sleeve                                     | 2    |
| 7       | B008523220335 | Cup                                | 1    | 30      | B008523220176 | Retaining Washer                           | 4    |
| 8       | B008523220420 | Bearing Lower Race (Upper Bearing) | 1    | 31      | B008523220144 | Rubber Buffer                              | 2    |
| 9       | B008523220620 | Bearing Upper Race                 | 1    | 32      | A000092908500 | External Star Washer                       | 2    |
| 10      | A000022001052 | Still Ball $\varnothing$ 6.35 mm.  | 32   | 33      | A000092108130 | Hex. Nut                                   | 6    |
| 11      | A000023021552 | Slotted Locking Ring               | 1    |         |               |  |      |
| 12      | B008523220352 | Spacer                             | 1    |         |               |  |      |
| 13      | B008523220452 | Lock Washer                        | 1    |         |               |  |      |
| 14      | A000023020812 | Nipple                             | 1    |         |               |  |      |
| 15      | B008523200001 | Leading Link LH                    | 1    |         |               |  |      |
| 16      | B008523210050 | Silent Block                       | 2    |         |               |  |      |
| 17      | B008523210150 | Bearing Bush                       | 2    |         |               |  |      |
| 16      | B008523210050 | Silent Block                       | 2    |         |               |  |      |
| 17      | B008523210150 | Bearing Bush                       | 2    |         |               |  |      |
| 18      | B008523210072 | Special Bolt M12 x 70              | 2    |         |               |  |      |
| 19      | B008523220150 | Inner Bush Collar Type             | 4    |         |               |  |      |
| 20      | B008523220148 | 'O' Ring for Leading Link          | 4    |         |               |  |      |
| 21      | A000094612175 | Self Locking Nut                   | 2    |         |               |  |      |
| 22      | A000023020812 | Grease Nipple                      | 2    |         |               |  |      |
| 23      | B008523200530 | Front Shock Absorber               | 2    |         |               |  |      |

**KHANEJA MOTORS****DELHI, INDIA****Mob: +919999679888**

Email id: khanejamotors@gmail.com



**REAR SUSPENSION**

Diagram No-29

| Fig No. | Part Code     | Description                   | Qty. | Fig No. | Part Code | Description | Qty. |
|---------|---------------|-------------------------------|------|---------|-----------|-------------|------|
| 1       | B008523201010 | Trailing Arm Assly. LH (KBX)  | 1    |         |           |             |      |
|         | B008523201110 | Trailing Arm Assly. RH (KBX)  | 1    |         |           |             |      |
| 2       | B008523260550 | Brg.Bush.Inner                | 2    |         |           |             |      |
| 3       | B008523260650 | Brg.Bush Outer                | 2    |         |           |             |      |
| 4       | B008523260065 | Torsion bar LH                | 1    |         |           |             |      |
| 4       | B008523260165 | Torsion bar RH                | 1    |         |           |             |      |
| 5       | A000094542200 | Internal Circlip              | 2    |         |           |             |      |
| 6       | A000023020812 | Grease Nipple                 | 4    |         |           |             |      |
| 7       | B008523260042 | Guard Ring                    | 2    |         |           |             |      |
| 8       | B008523260142 | Seal                          | 2    |         |           |             |      |
| 9       | A000090310025 | Hex Head Bolt M10 x 25        | 12   |         |           |             |      |
| 10      | A000092708000 | Spring Washer                 | 1    |         |           |             |      |
| 11      | A000091508020 | Hex Socket Head Screw M8 x 20 | 2    |         |           |             |      |
| 12      | A000092708000 | Spring Washer                 | 2    |         |           |             |      |
| 13      | B008523200031 | Shock Absorber (Rear)         | 2    |         |           |             |      |
| 14      | A000090012061 | Hex Head Bolt M12 x 60        | 2    |         |           |             |      |
| 15      | A000090112080 | Hex Head Bolt M12 x 80        | 2    |         |           |             |      |
| 16      | A000092712000 | Spring Washer                 | 4    |         |           |             |      |
| 17      | A000092112177 | Hex Nut M12 x 1.75            | 4    |         |           |             |      |
| 18      | B008523200144 | Rubber spring for swing arm   | 2    |         |           |             |      |
| 19      | A000092908500 | External star washer          | 2    |         |           |             |      |
| 20      | A000090318023 | Hex head screw M10 x 20       | 2    |         |           |             |      |

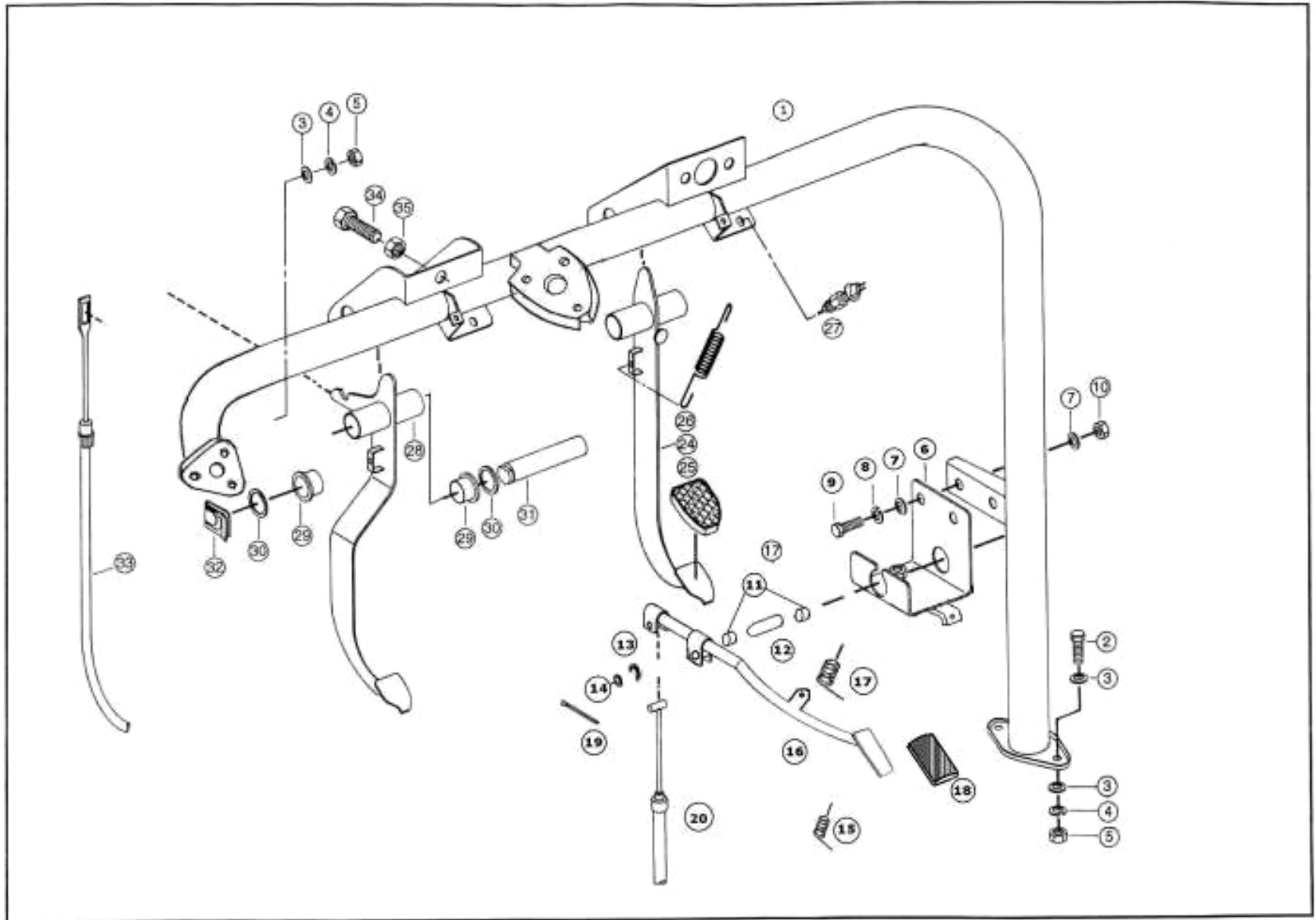
**KHANEJA MOTOTS****DELHI, INDIA****Mob: +919999679888**

Email id : khanejamotors@gmail.com



# HANGING PEDALS

Diagram No. 30



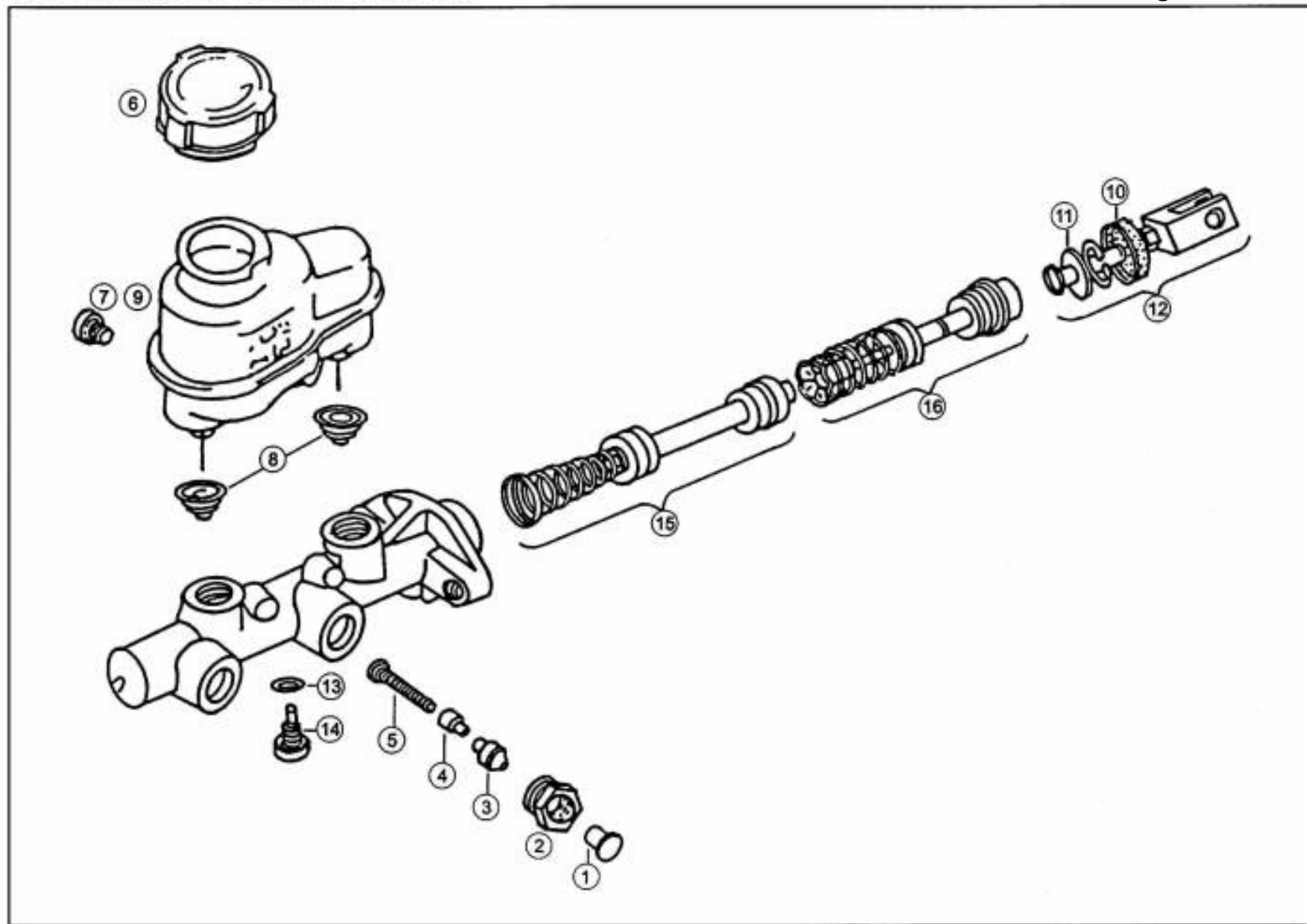
**HANGING PEDALS**

Diagram No-30

| Fig No. | Part Code     | Description                              | Qty. | Fig No. | Part Code     | Description                    | Qty. |
|---------|---------------|--|------|---------|---------------|--------------------------------|------|
| 1       | B008522940427 | Pipe Assembly-LHD                        | 1    | 29      | B001102910550 | Bushing For Pedal              | 4    |
| 2       | A000090308026 | Hex. Head Screw M8 x 20                  | 7    | 30      | No Code       | Spacer                         | NSSP |
| 4       | A000092708000 | Spring Washer M8                         | 5    | 32      | B000009941151 | Spring Clip                    | 2    |
| 5       | A000092108130 | Hex. Nut M8 x 1.25                       | 5    | 33      | B008522900510 | Clutch Cable - A/R (4+D) - LHD | 1    |
| 6       | B008523000340 | Accelerator Bracket Assly.               | 1    | -       | B008522940274 | Pin (Brake Pedal)              | 1    |
| 7       | A000092506000 | Plain Washer M6                          | 4    | 34      | A000090308031 | Special Hex. Head Bolt M8 x 30 | 1    |
| 8       | A000092706000 | Spring washer                            | 2    | 35      | A000092108130 | Hex Nut M8 x 1.25              | 1    |
| 9       | A000090306021 | Hex. Head Screw M6 x 12                  | 4    | 34      | A000090308031 | Special Hex. Head Bolt M8 x 30 | 1    |
| 10      | A000092106102 | Hex. Nut M6 x 1                          | 4    | 35      | A000092108130 | Hex Nut M8 x 1.25              | 1    |
| 11      | B008523020050 | Nylon Bush                               | 2    |         |               |                                |      |
| 12      | B008523010074 | Pin for Acclerator Cable                 | 1    |         |               |                                |      |
| 13      | A000094418120 | Circlip                                  | 2    |         |               |                                |      |
| 14      | B008523010352 | Washer                                   | 2    |         |               |                                |      |
| 15      | A000023039012 | Extension -Spring                        | 1    |         |               |                                |      |
| 16      | B008523000704 | Acclerator Pedal Sub Assly.              | 1    |         |               |                                |      |
| 17      | B008549930010 | Spring                                   | 1    |         |               |                                |      |
| 18      | B008542920082 | Accelerator Pedal Cover                  | 1    |         |               |                                |      |
| 19      | A000094202012 | Split Pin                                | 1    |         |               |                                |      |
| 20      | B008523002785 | Accelerator Cable (A/R)- 4 SEATER-LHD    | 1    |         |               |                                |      |
| 24      | B008522900901 | Brake Pedal Assly. - LHD                 | 1    |         |               |                                |      |
| -       | B008522900801 | Brake Pedal Sub Assly. - LHD             | 1    |         |               |                                |      |
| 25      | B003192920082 | Foot Pedal Cover                         | 3    |         |               |                                |      |
| 26      | A000023039012 | Extension Spring                         | 2    |         |               |                                |      |
| 27      | A000053035752 | Mechanical Brake Light Switch - Modified | 1    |         |               |                                |      |
| 28      | B008522901301 | Clutch Pedal Assly. - LHD                | 1    | -       |               |                                |      |
| -       | B008522901201 | Clutch Pedal Sub Assly. - LHD            | 1    | -       |               |                                |      |

**KHANEJA MOTORS****DELHI, INDIA****Mob: +919999679888**

Email id: khanejamotors@gmail.com



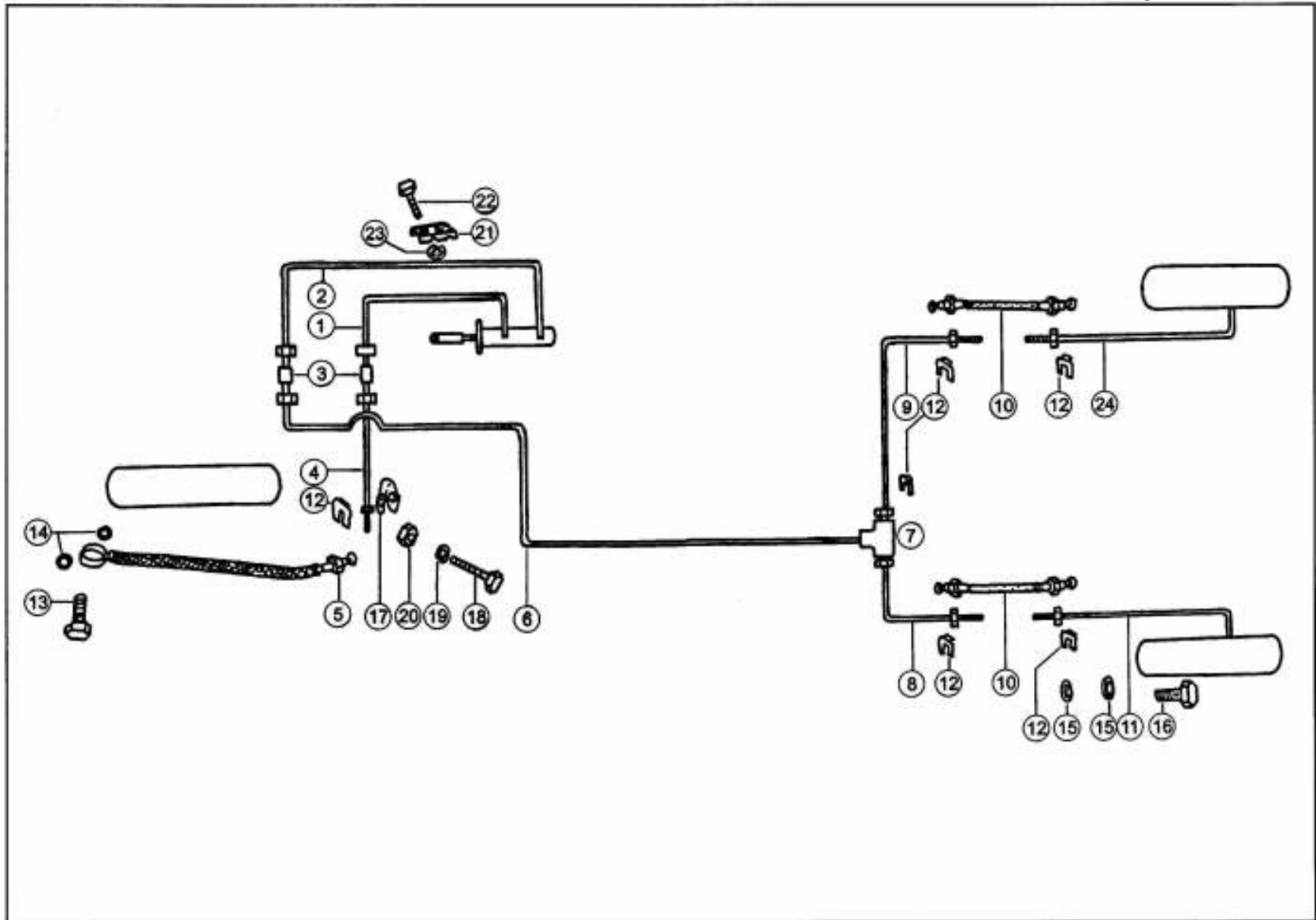
| TANDEM MASTER CYLINDER |               |                                       |      | Diagram No-31 |           |             |      |
|------------------------|---------------|---------------------------------------|------|---------------|-----------|-------------|------|
| Fig No.                | Part Code     | Description                           | Qty. | Fig No.       | Part Code | Description | Qty. |
| 1                      | B008524300101 | Tandem Master Cylinder with Reservoir | 1    |               |           |             |      |
| 2                      | A000023145342 | Cap                                   | 2    |               |           |             |      |
| 3                      | -             |                                       |      |               |           |             |      |
| 4                      | A000023145332 | Residual Valve                        | 2    |               |           |             |      |
| 5                      | B008524310093 | Residual Valve Spring                 | 2    |               |           |             |      |
| 6                      | B008524310053 | Reservoir Cap Complete                | 1    |               |           |             |      |
| 7                      | B008524310056 | Reservoir Bolt                        | 2    |               |           |             |      |
| 8                      | B008524310049 | Reservoir Seal                        | 2    |               |           |             |      |
| 9                      | B008524300102 | Oil Reservoir                         | 1    |               |           |             |      |
| 10                     | A000023145252 | Boot                                  | 1    |               |           |             |      |
| 11                     | B008524310142 | Piston Stopper                        | 1    |               |           |             |      |
| 12                     | B008524310029 | Push Rod Complete                     | 1    |               |           |             |      |
| 13                     | B008524310080 | Gasket                                | 1    |               |           |             |      |
| 14                     | B008524310042 | Secondary Piston Stopper              | 1    |               |           |             |      |
| 15                     | B008524300083 | Secondary Piston Complete             | 1    |               |           |             |      |
| 16                     | B008524300008 | Primary Piston Comp.                  | 1    |               |           |             |      |
| -                      | B008525860029 | Major Kit                             | 1    |               |           |             |      |

**KHANEJA MOTORS,**

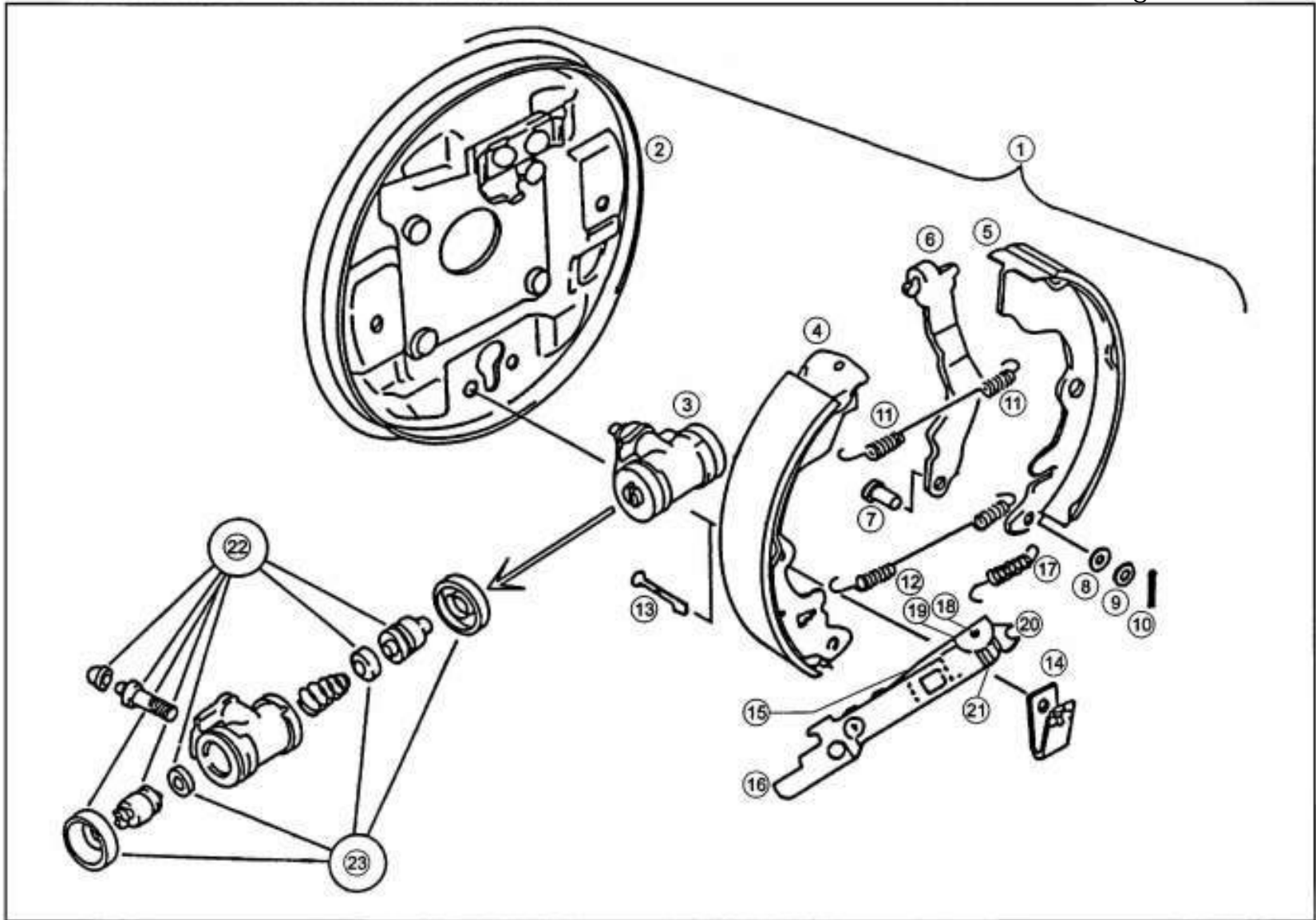
**DELHI, INDIA**

**Mob: +91999967988**

Email.id : khanejamotors@gmail.com



| Group   | BRAKE BUNDY TUBE LAYOUT- A/R & P/U |   |      |                                 | Diagram No-32  |                                   |      |
|---------|------------------------------------|---|------|---------------------------------|----------------|-----------------------------------|------|
| Fig No. | Part Code                          | Description                               | Qty. | Fig No.                         | Part Code      | Description                       | Qty. |
| 1       | B008524200729                      | Bundy Tube Assly. - 360 mm.               | 1    |                                 |                |                                   |      |
| 2       | B008524200729                      | Bundy Tube Assly. - 360 mm.               | 1    | BUNDY TUBE LAYOUT - LHD         |                |                                   |      |
| 3       | A000023048022                      | Two Way Connector M10 x 1                 | 2    | LONG WHEEL BASE VEHICLES        |                |                                   |      |
| 4       | A000023145902                      | Bundy Tube from 2 way to Front Brake Hose | 1    |                                 | A000023145902  | Bundy tube from 3 way to RH wheel |      |
| 5       | B008524280035                      | Front Brake Hose                          | 1    |                                 | A000053048212  | Bundy tube 2200 mm                |      |
| 6       | A000032048172                      | Bundy Tube Assly. - 2100 mm.              | 1    |                                 | A000023145892  | Bundy tube from 3 way to LH wheel |      |
| 7       | A000023048032                      | 3-Way Connector M10 x 1                   | 1    |                                 | A000023545172  | Bundy Tube 200 mm                 |      |
| 7A      | B008524280024                      | 3-Way Connector M10 x 1                   | 1    |                                 | B0085224201529 | Bundy tube assbly LH              |      |
| 8       | B008524201129                      | Bundy Tube - 780 mm.                      | 1    |                                 | B0085224201629 | Bundy tube assbly RH              |      |
| 8A      | B008524201229                      | Bundy Tube                                | 1    |                                 | B0085224201829 | Bundy tube assbly LHD             |      |
| 9       | A000053048132                      | Bundy Tube - 900 mm.                      | 1    |                                 |                |                                   |      |
| 10      | A000023048722                      | Brake Hose                                | 1    | 4+D SHORT WHEEL BASE- PASSENGER |                |                                   |      |
| 11      | B008524201529                      | Bundy Tube LH - 330 mm.                   | 1    |                                 | A000023145902  | Bundy tube from 3 way to RH wheel |      |
| 12      | A000023047012                      | Hose Clamp                                | 5    |                                 | A000023049902  | Bundy tube 1650 mm                |      |
| 13      | A000005405332                      | Banjo Bolt                                | 3    |                                 | A000023145892  | Bundy tube from 3 way to LH wheel |      |
| 14      | A000023045162                      | Copper Washer                             | 3    |                                 | A000023545172  | Bundy Tube 200 mm                 |      |
| 15      | A000023045172                      | Copper Washer                             | 3    |                                 | B0085224201529 | Bundy tube assbly LH              |      |
| 16      | A000023037532                      | Banjo Bolt                                | 2    |                                 | B0085224201629 | Bundy tube assbly RH              |      |
| 16A     | B008529910215                      | Banjo Bolt                                | 1    |                                 | B0085224201829 | Bundy tube assbly LHD             |      |
| 17      | C916016012200                      | Clamp                                     | 1    |                                 | A000053048152  | Bundy tube 1200 LG                |      |
| 18      | A000090306015                      | Hex. Head Screw M6 x 15                   | 1    |                                 |                |                                   |      |
| 19      | A000092506000                      | Plain Washer M6                           | 1    |                                 |                |                                   |      |
| 20      | A000092106102                      | Hex. Nut M6 x 1                           | 1    |                                 |                |                                   |      |
| 21      | A000023062312                      | Clamp                                     | 2    |                                 |                |                                   |      |
| 22      | A000090006026                      | Hex. Head Bolt M6 x 25                    | 1    |                                 |                |                                   |      |
| 23      | A000092706000                      | Spring Washer                             | 1    |                                 |                |                                   |      |
| 24      | B008524201629                      | Bundy Tube RH - 330 mm.                   | 1    |                                 |                |                                   |      |

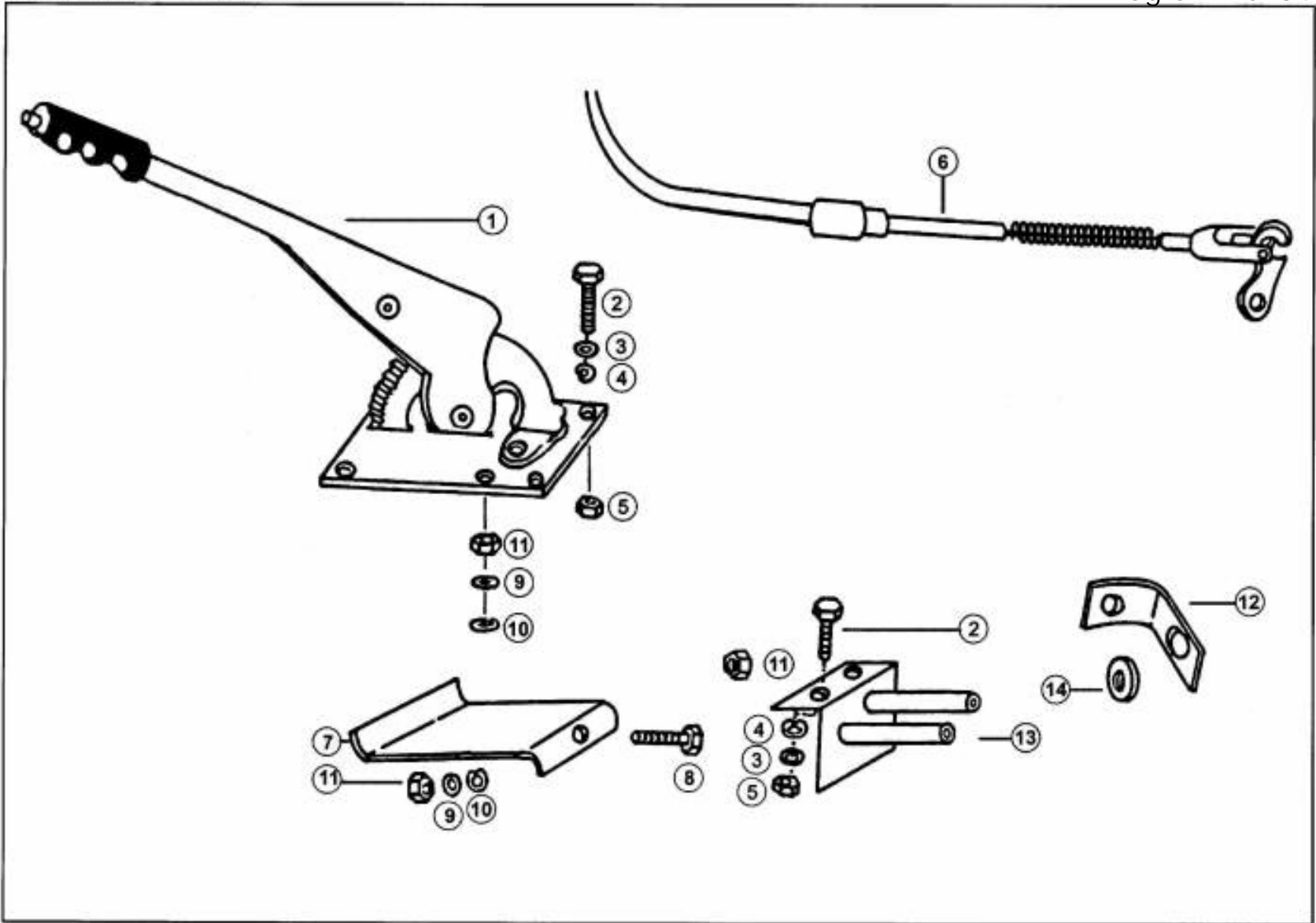


**BRAKE ASSEMBLY- FRONT & REAR**

Diagram No-33

| Fig No. | Part Code     | Description                 | Qty. | Fig No. | Part Code     | Description                            | Qty. |
|---------|---------------|-----------------------------|------|---------|---------------|--|------|
| 1       | B008374200317 | Rear Brake Assly. RH        | 1    | 20      | B008529900201 | Adjuster Screw RH                      | 1    |
| -       | B008374200217 | Rear Brake Assly. LH        | 1    | -       | B008529900301 | Adjuster Screw LH                      | 2    |
| -       | B008184200117 | Front Brake Assly.          | 2    | 21      | B008529900772 | Adjuster Nut RH                        | 3    |
| 2       | B008524200117 | Back Plate Complete RH      | 1    | -       | B008529900672 | Adjuster Nut LH                        | 1    |
| -       | B008524200017 | Back Plate Complete LH      | 2    | 22      | B008525861329 | Major Kit W/c.                         | 3    |
| 3       | B008524200219 | Wheel Cylinder Assly. RH    | 1    | 23      | B008525861429 | Minor Kit W/c.                         | 3    |
| -       | B008524200119 | Wheel Cylinder Assly. LH    | 1    | 24      | B008525861529 | Kit Lined Shoe (1 Leading, 1 Trailing) | 1    |
| -       | B008184200018 | Wheel Cylinder Assly. Front | 1    | -       | B008525861729 | Repair Kit Adjuster RH                 | 2    |
| 4       | B008524200620 | Shoe Assly. Leading         | 3    | -       | B008525861629 | Repair Kit Adjuster LH                 | 3    |
| 5       | B008524200720 | Shoe Assly. Trailing        | 3    | -       | B008525861329 | Major Kit Wheel Cylinder (KBX-634)     | 3    |
| 6       | B008524230337 | Control Lever RH            | 1    | -       | B008525861429 | Minor Kit Wheel Cylinder (KBX-635)     | 3    |
| -       | B008524230237 | Control Lever LH            | 2    | -       | B008525861529 | Kit Lined Shoe (KBX-636)               | 1    |
| 7       | B008524230174 | Pivot Pin                   | 3    | -       | B008525861729 | Repair Kit Adjuster RH (KBX-637)       | 1    |
| 8       | B008524230052 | Cup Washer                  | 3    | -       | B008529900201 | Adjuster Screw RH                      | 1    |
| 9       | B008524230152 | Plain Washer                | 3    | -       | B008529900772 | Adjuster Nut RH                        | 1    |
| 10      | B008524230274 | Split Pin                   | 3    | -       | B008524230590 | Adjuster Bolt Spring RH                | 1    |
| 11      | B008524230090 | Spring Shoe Return - Upper  | 3    | -       | B008524230330 | Pawl                                   | 2    |
| 12      | B008524230190 | Spring Shoe Return - Lower  | 6    | -       | B008525861629 | Repair Kit Adjuster LH (KBX-638)       | 1    |
| 13      | B008524230374 | Pin Shoe Set                | 2    | -       | B008529900301 | Adjuster Screw LH                      | 1    |
| 14      | B008524230290 | Shoe Set Spring Leading     | 1    | -       | B008529900672 | Adjuster Nut LH                        | 1    |
| -       | B008524230390 | Shoe Set Spring Trailing RH | 2    | -       | B008524230690 | Adjuster Bolt Spring LH                | 1    |
| -       | B008524230490 | Spring Shoe Hold Down LH    | 2    | -       | B008524230330 | Pawl                                   | 1    |
| 15      | B008524200147 | Strut Assly. RH             | NSSP |         |               |  |      |
| -       | B008524200047 | Strut Assly. LH             | NSSP |         |               |  |      |
| 16      | -             | Strut Parking RH            | NSSP |         |               |  |      |
| 17      | B008524230590 | Adjuster Bolt Spring RH     | 3    |         |               |  |      |
| -       | B008524230690 | Adjuster Bolt Spring LH     | 1    |         |               |  |      |
| 18      | B008524230230 | Rocker                      | 3    |         |               |  |      |
| 19      | B008524230330 | Pawl                        | 1    |         |               |  |      |





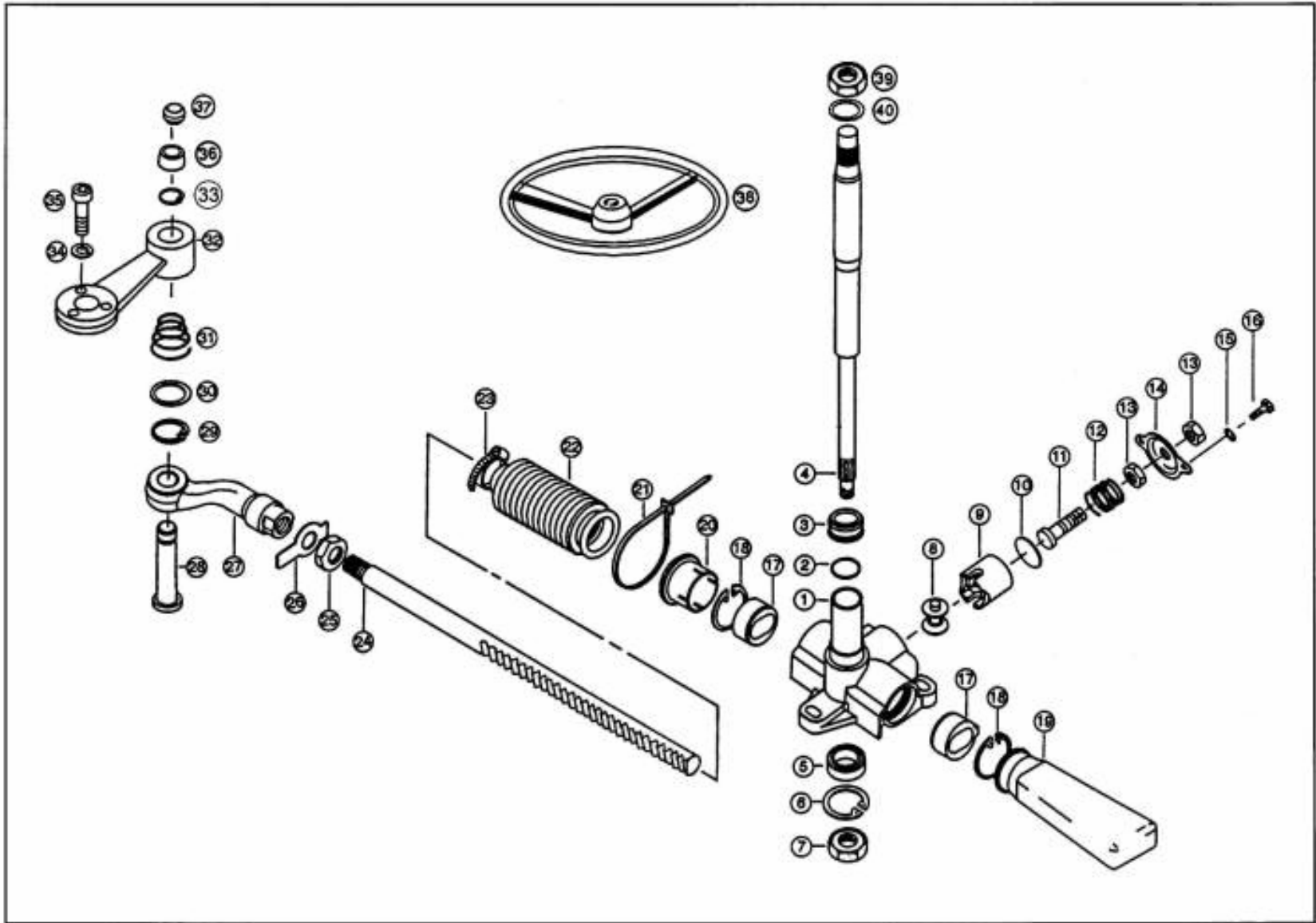
| <b>HAND BRAKE ASSLY</b> |                  |  |             | <b>Diagram No-34</b> |                  |                    |             |
|-------------------------|------------------|--|-------------|----------------------|------------------|--------------------|-------------|
| <b>Fig No.</b>          | <b>Part Code</b> | <b>Description</b>                         | <b>Qty.</b> | <b>Fig No.</b>       | <b>Part Code</b> | <b>Description</b> | <b>Qty.</b> |
| 1                       | B008524200418    | Hand Brake Assly. 4+D A/R LHD              | 1           |                      |                  |                    |             |
| 2                       | A000090306021    | Hex. Head Screw M6 x 15                    | 6           |                      |                  |                    |             |
| 3                       | A000092506000    | Plain Washer M6                            | 13          |                      |                  |                    |             |
| 4                       | A000092706000    | Spring Washer B6                           | 6           |                      |                  |                    |             |
| 5                       | A000092106102    | Hex. Nut M6 x 1                            | 6           |                      |                  |                    |             |
| 6                       | B008524202085    | Hand Brake Cable Assly. RH ( LHD-3 Seater) | 1           |                      |                  |                    |             |
| 7                       | B008524230243    | Hand Brake Bottom Cover Assly. 4+D LHD     | 1           |                      |                  |                    |             |
| 8                       | A000090306021    | Hex. Head Screw M6 x 20                    | 1           |                      |                  |                    |             |
| 9                       | A000092506000    | Plain Washer M8                            | 4           |                      |                  |                    |             |
| 10                      | A000092706000    | Spring Washer B8                           | 4           |                      |                  |                    |             |
| 11                      | A000092108130    | Hex. Nut                                   | 4           |                      |                  |                    |             |
| 12                      | B008523170140    | Cable Holding Bracket                      | 1           |                      |                  |                    |             |
| 13                      | B008524200378    | Hand Brake Pocket Assly.                   | 1           |                      |                  |                    |             |
| 14                      | A000024030272    | Rubber Grommet                             | 6           |                      |                  |                    |             |

**KHANEJA MOTORS,**

**DELHI, INDIA**

**Mob: +919999679888**

Email id: khanejamotors@gmail.com



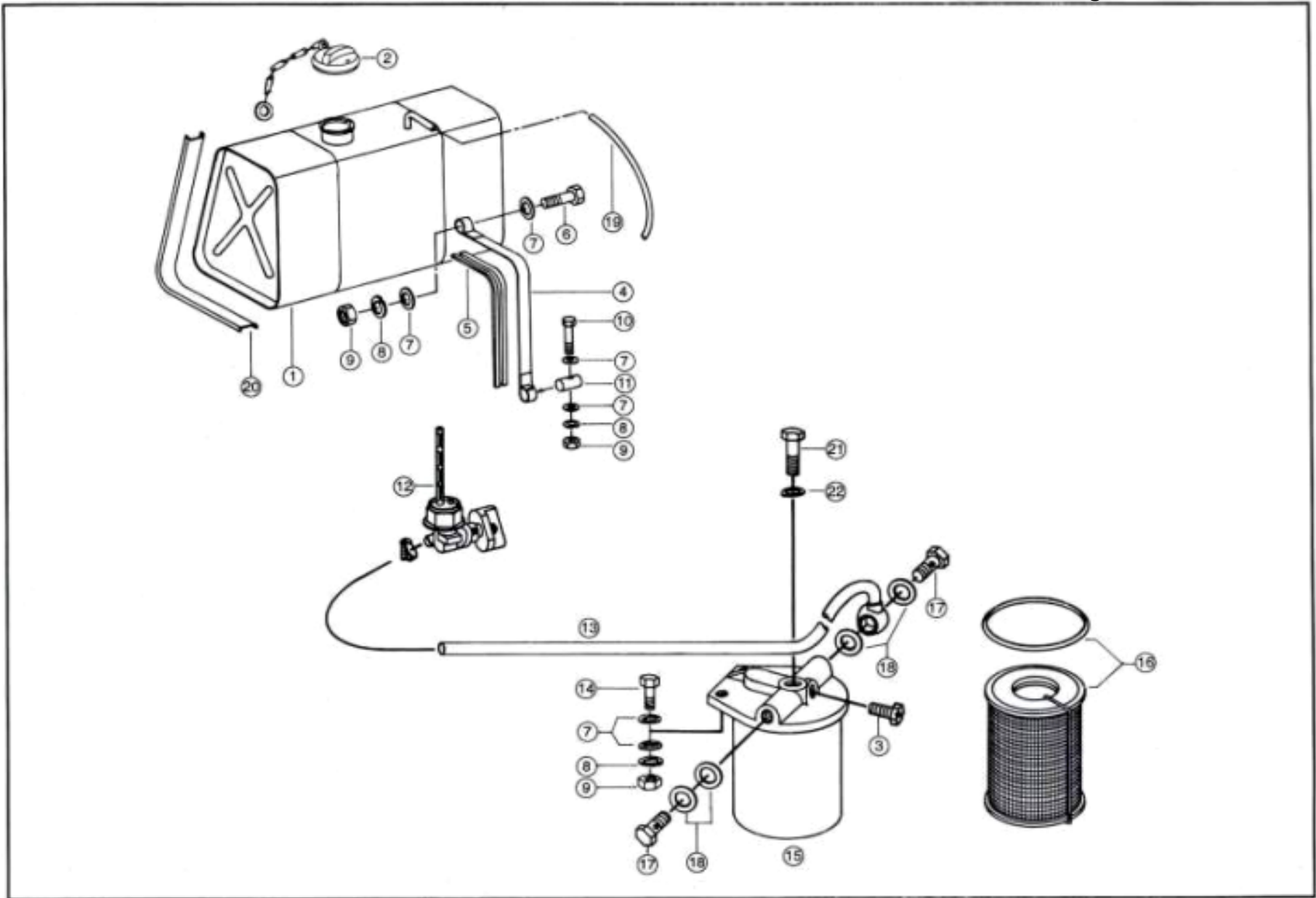
**STEERING ASSEMBLY RACK & PINION**

Diagram No-35

| Fig No. | Part Code     | Description                            | Qty. | Fig No. | Part Code     | Description               | Qty. |
|---------|---------------|--|------|---------|---------------|---------------------------|------|
| 1       | B008464600801 | Steering Housing                       | 1    | 26      | B008464610052 | Spacer                    | 1    |
| -       | B008464600401 | Steering Assly. - Rack & Pinion        | 1    | 27      | B008464610309 | Steering Rack - End       | 1    |
| 2       | B008464620042 | 'O' Ring                               | 1    | 28      | B008464620174 | Pin ( Steering )          | 1    |
| 3       | B008464620196 | Rubber Boot - Small                    | 1    | 29      | C000472030000 | Circlip 30 x 1.2          | 1    |
| 4       | B008464620201 | Steering Shaft                         | 1    | 30      | B008464620352 | Washer - Steering Lever   | 1    |
| 5       | B008529810010 | Ball Bearing                           | 1    | 31      | B008469910101 | Spring - Steering Lever   | 1    |
| 6       | C000472030000 | Circlip 30 x 1.2                       | 2    | 32      | B008464620105 | Steering Lever            | 1    |
| 7       | A000099130022 | Nyloc Nut M10                          | 1    | 33      | A000094414100 | External Circlip          | 1    |
| 8       | B008464610035 | Roller Steering Housing                | 1    | 34      | A000092710000 | Spring Washer             | 3    |
| 9       | B008464610030 | Roller Seat                            | 1    | 35      | A000091510031 | Hex. Socket Bolt M10 x 30 | 3    |
| 10      | B008464610011 | Shim                                   | 1    | 36      | B008464620150 | Bush - Steering Lever     | 1    |
| 11      | B008529910115 | Special Bolt                           | 1    | 37      | B008464620033 | Bush - Steering Lever     | 1    |
| 12      | B008469910001 | Spring - Steering Housing              | 1    | 38      | B008464600003 | Steering Wheel            | 1    |
| 13      | A000099130021 | Lock Nut                               | 2    | 39      | A000023060542 | Steering Nut              | 1    |
| 14      | B008464610043 | End Cover                              | 1    | -       | B008525450110 | Steering Cap              | 1    |
| 15      | A000090306014 | Hex. Nut M6 x 15                       | 2    | 40      | No Code       | Plain Washer              | 1    |
| 16      | A000092706000 | Spring Washer B6                       | 2    | -       | B008464600916 | Jacket tube with bracket. | 1    |
| 17      | B008464610150 | Bush - Steering Housing                | 2    |         |               |                           |      |
| 18      | C000472035000 | Circlip                                | 1    |         |               |                           |      |
| 19      | B008464610143 | Guide Cover                            | 1    |         |               |                           |      |
| 20      | B008464610127 | Insert (Rack & Pinion Bellow Mounting) | 1    |         |               |                           |      |
| 21      | No Code       | Rubber Strap                           | 1    |         |               |                           |      |
| 22      | B008464620196 | Rubber Boot - Big                      | 1    |         |               |                           |      |
| 23      | A000040134132 | Hose Clip                              | 1    |         |               |                           |      |
| 24      | B008464600209 | Steering Rack M/c                      | 1    |         |               |                           |      |
| 25      | A000092218152 | Nut                                    | 1    |         |               |                           |      |

**KHANEJA MOTORS,  
DELHI, INDIA  
Mob: +919999679888**

Email id: khanejamotors@gmail.com



**FUEL SYSTEM (FUEL TANK & FUEL FILTER) - Passenger**

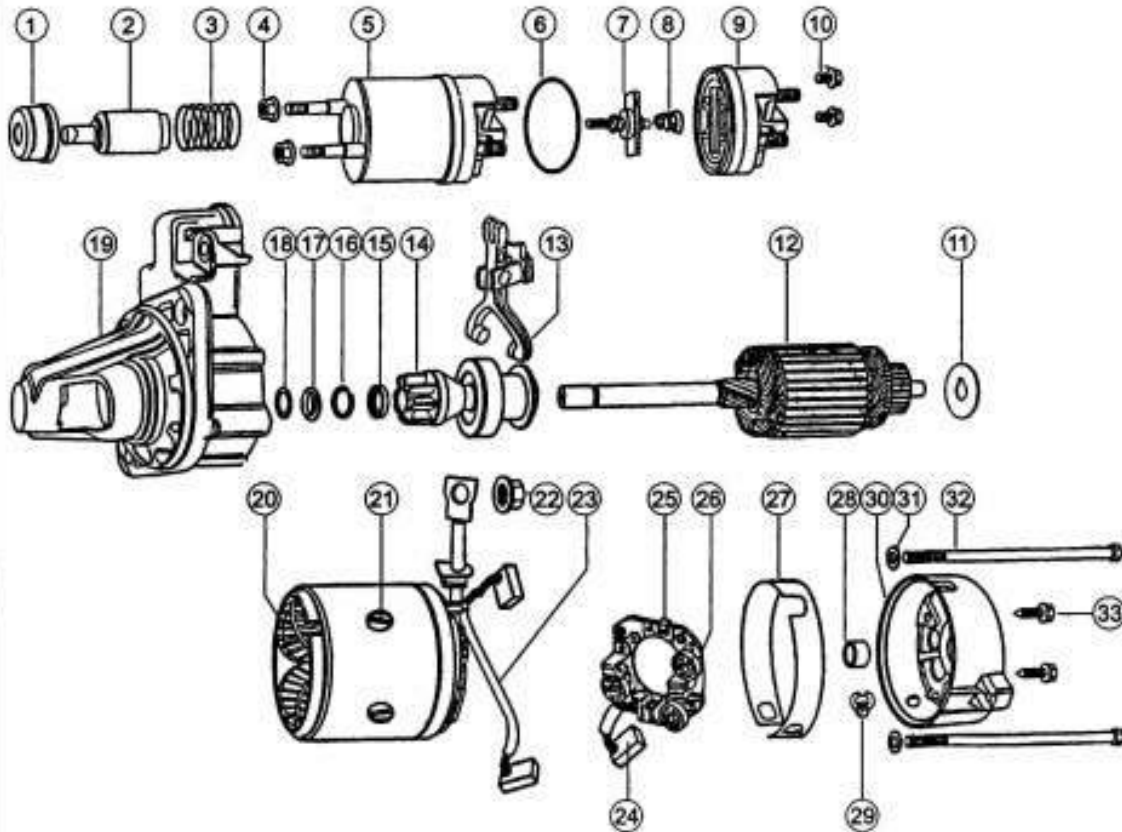
Diagram No-36

| Fig No. | Part Code     | Description                                | Qty. | Fig No. | Part Code | Description | Qty. |
|---------|---------------|--|------|---------|-----------|-------------|------|
| 1       | B008524701201 | Fuel Tank                                  | 1    |         |           |             |      |
| 2       | B008524700066 | Diesel Tank Cap                            | 1    |         |           |             |      |
| 3       | No Code       | Bleeding Screw                             | NSSP |         |           |             |      |
| 4       | B008524750104 | Strap for Fuel Tank                        | 2    |         |           |             |      |
| 5       | B008529870630 | Rubber Strap                               | 2    |         |           |             |      |
| 6       | A000090008081 | Hex. Head Screw M8 x 80                    | 2    |         |           |             |      |
| 7       | A000092508000 | Plain Washer M8                            | 4    |         |           |             |      |
| 8       | A000092708000 | Spring Washer B8                           | 4    |         |           |             |      |
| 9       | A000092108130 | Hex. Nut M8 x 1.25                         | 4    |         |           |             |      |
| 10      | A000090108081 | Hex. Head Screw                            | 4    |         |           |             |      |
| 11      | A000023040882 | Strap Pin                                  | 2    |         |           |             |      |
| 12      | B008524700408 | Fuel Cock                                  | 1    |         |           |             |      |
| 13      | B008030980726 | Fuel Hose Pipe (Tank to Filter)            | 1    |         |           |             |      |
| 14      | A000090308130 | Hex. Head Screw M8 x 30                    | 2    |         |           |             |      |
| 15      | B008030900101 | Single Diesel Filter Assly. (Spin-On Type) | 1    |         |           |             |      |
| 16      | B008030920204 | Diesel Filter Element with 'O' Ring        | 1    |         |           |             |      |
| 17      | A000020146122 | Banjo Bolt                                 | 2    |         |           |             |      |
| 18      | C007603014106 | Copper Washer A14 x 20                     | 5    |         |           |             |      |
| 19      | B008524760101 | Fuel Hose Pipe - Return                    | 1    |         |           |             |      |
| 20      | B008524750020 | Rubber Packing                             | 2    |         |           |             |      |
| 21      | No Code       | Hex. Head Screw                            | NSSP |         |           |             |      |
| 22      | No Code       | Plain Washer                               | NSSP |         |           |             |      |

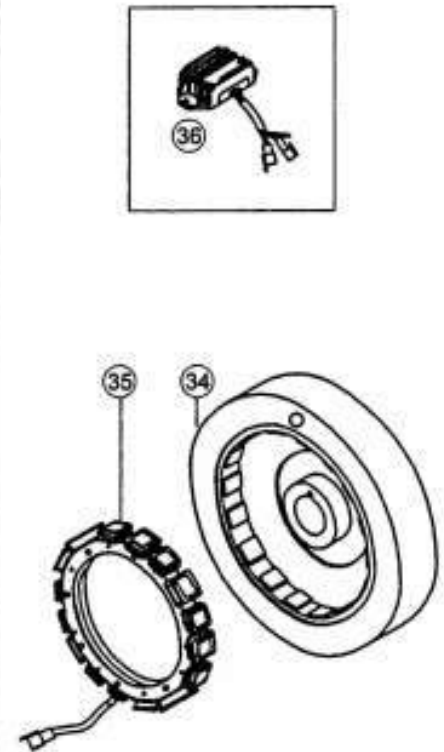
**KHANEJA MOTORS****DELHI, INDIA****Mob: +919999679888**

Email id : khanejamotors@gmail.com

**STARTER ASSEMBLY**



**FLYWHEEL ALTERNATOR ASSEMBLY**



**STARTER- SM 76 PE TYPE ( LUCAS) & ALTERNATOR (JHI)**

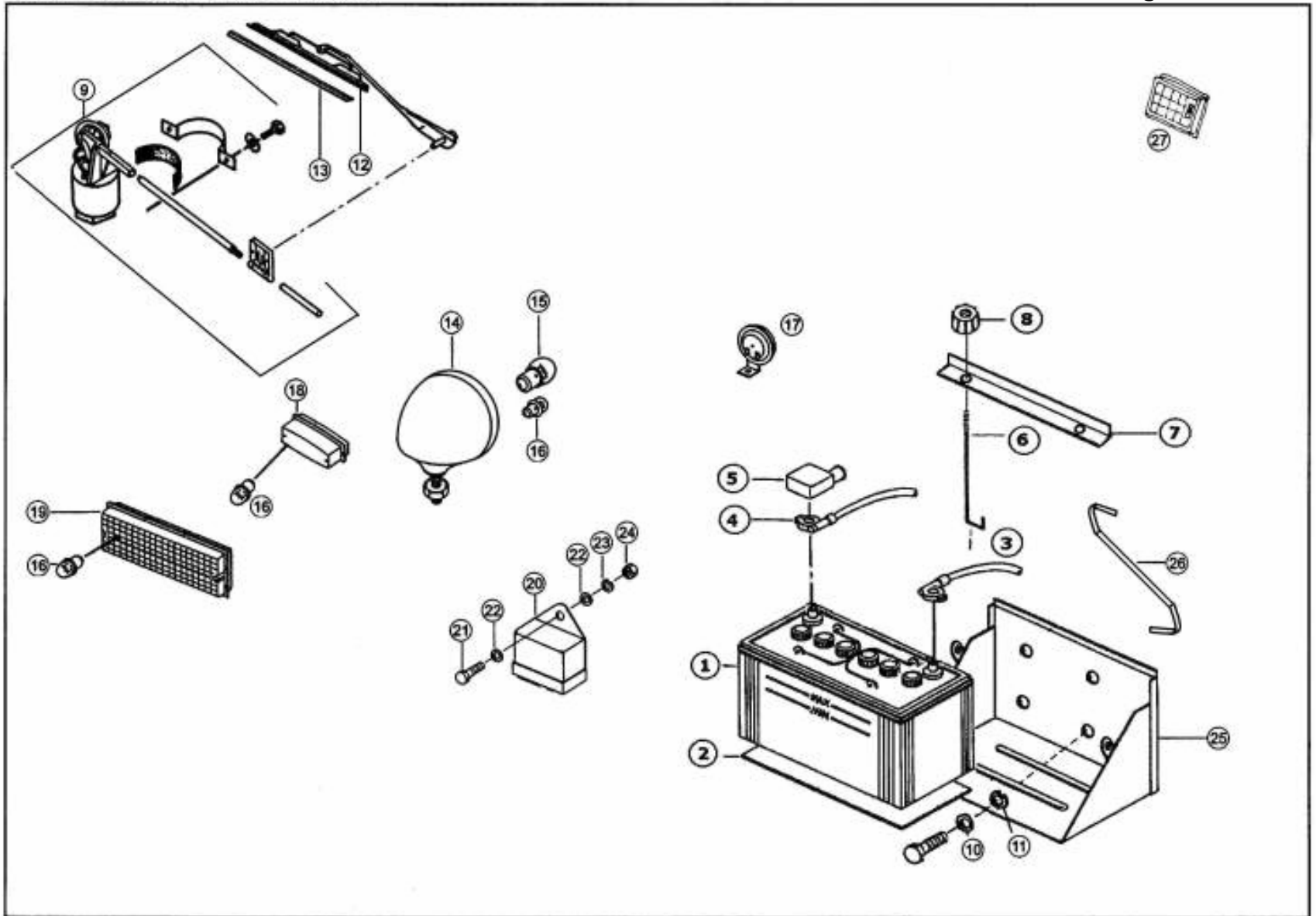
Diagram No-38

| Fig No. | Part Code     | Description               | Qty. | Fig No. | Part Code     | Description                      | Qty. |
|---------|---------------|---------------------------|------|---------|---------------|----------------------------------|------|
| -       | B008031502601 | Starter Assembly 1.3 KW   | 1    | 19      | B008031500541 | Fixing Bracket Assembly          | 1    |
| 1       | B008031540143 | Shroud                    | 1    | 20      | B008039970493 | Field Coil Assembly              | 1    |
| 2       | B008031500065 | Plunger Assembly          | 1    | 21      | B008039901013 | Pole Screw                       | 4    |
| 3       | B008039931001 | Plunger Return Spring     | 1    | 22      | B008039901651 | Flange Nut                       | 1    |
| 4       | B008039901751 | Serrated Flange Nut       | 2    | 23      | B008031540450 | Twin Brush Assembly              | 2    |
| 5       | B008035420117 | S2 - Solenoid Switch      | 1    | 24      | B008031540550 | Earth Brush                      | 1    |
| 6       | B008031540080 | Flat Seal                 | 1    | 25      | B008031500943 | Brush Gear Assembly              | 1    |
| 7       | B008031540274 | Spindle Assembly          | 1    | 26      | B008039931301 | Brush Spring                     | 3    |
| 8       | B008039931101 | Contact Return Spring     | 1    | 27      | B008031540220 | CE Bracket Insulation            | 1    |
| 9       | B008031500843 | Terminal Base Assembly    | 1    | 28      | B008031540650 | CE Bearing Bush                  | 1    |
| 10      | B008039901213 | Flanged Screw with Gasket | 2    | 29      | B008039910255 | Vent Plug                        | 1    |
| 11      | B008039901340 | Stop Washer               | 1    | 30      | B008031500641 | CE Bracket Assembly              | 1    |
| 12      | B008031540165 | Armature Assembly         | 1    | 31      | B008039901540 | Plain Washer                     | 2    |
| 13      | B008031500373 | Engaging Lever Assembly   | 1    | 32      | B008039900401 | Fixing Bolt                      | 2    |
| 14      | B008031520105 | Drive Assembly            | 1    | 33      | B008039901113 | B. G. Fixing Screw               | 2    |
| 15      | B008039901640 | Thrust Collar             | 1    |         |               | <b>FLYWHEEL ALTERNATOR ASSLY</b> |      |
| 16      | B008031540462 | Jump Ring                 | 1    | 34      | B008030302905 | Flywheel Assembly                | 1    |
| 17      | B008039901440 | DE Thrust Washer          | 1    | 35      | B008031540125 | Stater Assembly                  | 1    |
| 18      | B008031540562 | DE Thrust Shim            | 2    | 36      | B008525400465 | Rectifier cum Regulator Unit     | 1    |

**KHANEJA MOTORS,****DELHI, INDIA****Mob: +919999679888**

Email id: khanejamotors@gmail.com

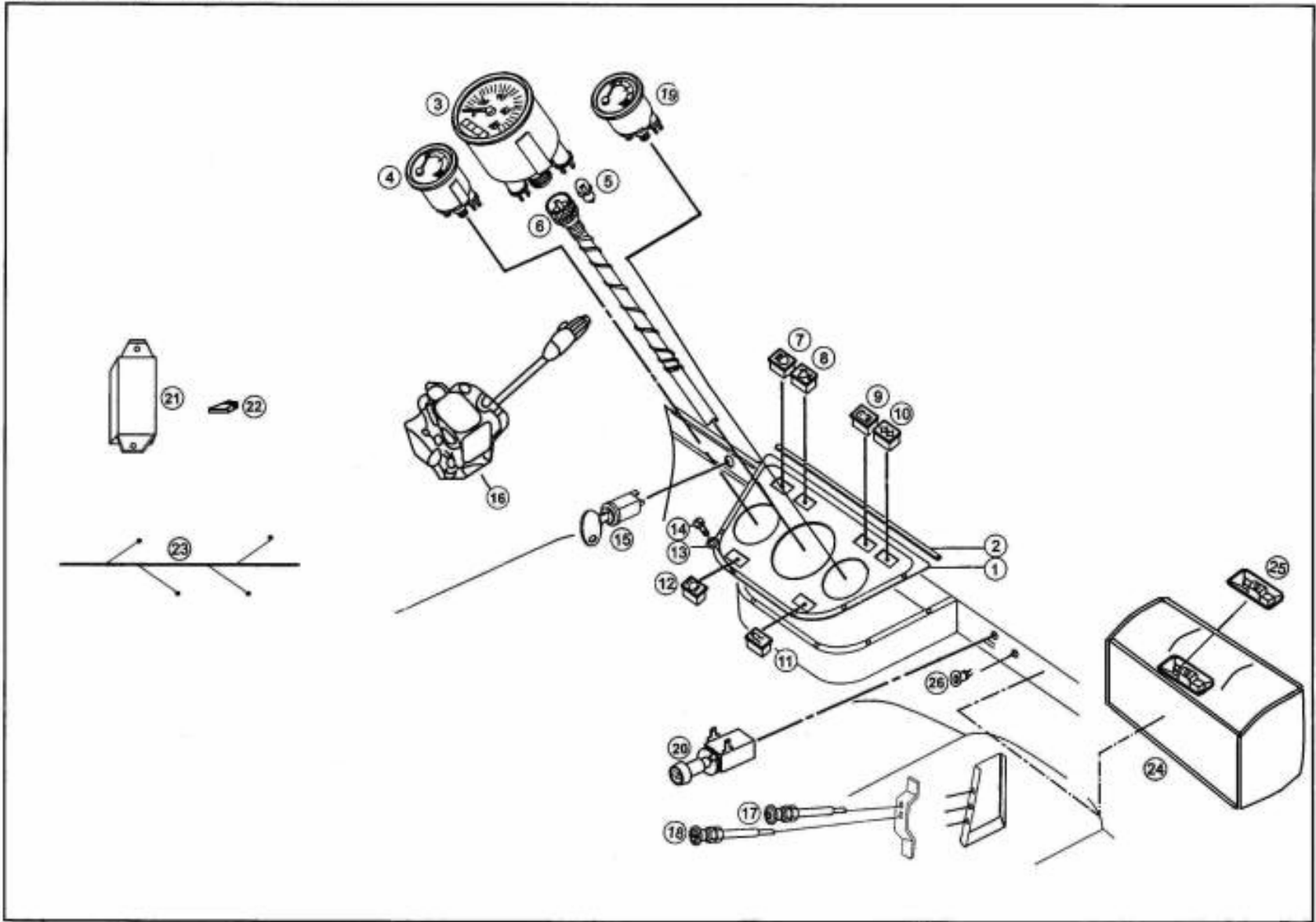




| ELECTRICAL EQUIPMENT & INSTRUMENTS |               |                                    |      |         |               |                             | Diagram No-39 |
|------------------------------------|---------------|------------------------------------|------|---------|---------------|-----------------------------|---------------|
| Fig No.                            | Part Code     | Description                        | Qty. | Fig No. | Part Code     | Description                 | Qty.          |
| 1                                  | -             | Battery                            | 1    | 24      | A000092106102 | Hex Nut M6 X 1              | 4             |
| 2                                  | B008526840502 | Rubber Matting For Bottom Tray     | 1    | 25      | B008525400083 | Battery Box Assembly        | 1             |
| 3                                  | B008525401930 | Postive Cable For PU SLC           | 1    | 26      | B008525450377 | Hook                        | 1             |
| 4                                  | B008525401530 | Earth Cable For PU SLC             | 1    | -       | B008525400034 | Licence Plate Lamp Assembly | 1             |
| 5                                  | T006865462335 | Battery Terminal Cap               | 2    | 27      | T006868253601 | Roof Lamp Assembly          | 1             |
| 6                                  | B008525450077 | J- Hook                            | 1    | -       | B008525400018 | Glow Duration Unit          | 1             |
| 7                                  | B008525400141 | Battery Mounting Clamp             | 1    |         |               |                             |               |
| 8                                  | A000092108130 | Hex Nut M8 X 1.25                  | 1    |         |               |                             |               |
| 9                                  | B008528200242 | Wiper Motor With Accessories       | 1    |         |               |                             |               |
| 10                                 | A000092506000 | Plain Washer M6                    | 2    |         |               |                             |               |
| 11                                 | A000092706000 | Spring Washer                      | 2    |         |               |                             |               |
| 12                                 | B008528200244 | Wiper Arm Assembly                 | 1    |         |               |                             |               |
| 13                                 | B008598200045 | Wiper Blade Assembly               | 1    |         |               |                             |               |
| 14                                 | B008528200661 | Head Lamp Assembly                 | 1    |         |               |                             |               |
| 15                                 | B008545860004 | Bulb 12 V- 45/45W                  | 2    |         |               |                             |               |
| 16                                 | A000024030162 | Bulb 12/21W                        | 6    |         |               |                             |               |
| 17                                 | A000024025142 | Electric Horn                      | 1    |         |               |                             |               |
| 18                                 | B008528200320 | Side Blinker Assembly LH With Bulb | 1    |         |               |                             |               |
| -                                  | B008528200420 | Side Blinker Assembly RH With Bulb | 1    |         |               |                             |               |
| -                                  | B008528220311 | Base For Blinker Mounting LH       | 1    |         |               |                             |               |
| -                                  | B008528220411 | Base For Blinker Mounting LH       | 1    |         |               |                             |               |
| -                                  | B008528200120 | Tail Lamp Assembly LH              | 1    |         |               |                             |               |
| -                                  | B008528200220 | Tail Lamp Assembly RH              | 1    |         |               |                             |               |
| 20                                 | T006865444832 | Electronic Flasher Unit            | 1    |         |               |                             |               |
| 21                                 | A000090306021 | Hex Head Screw M6 X 20             | 1    |         |               |                             |               |
| 22                                 | A000092506000 | Plain Washer M6                    | 2    |         |               |                             |               |
| 23                                 | A000092706000 | Spring Washer B6                   | 1    |         |               |                             |               |

**KHANEJA MOTORS****DELHI, INDIA****Mob: +919999679888**

Email id : khanejamotors@gmail.com



**DASHBOARD INSTRUMENTS**

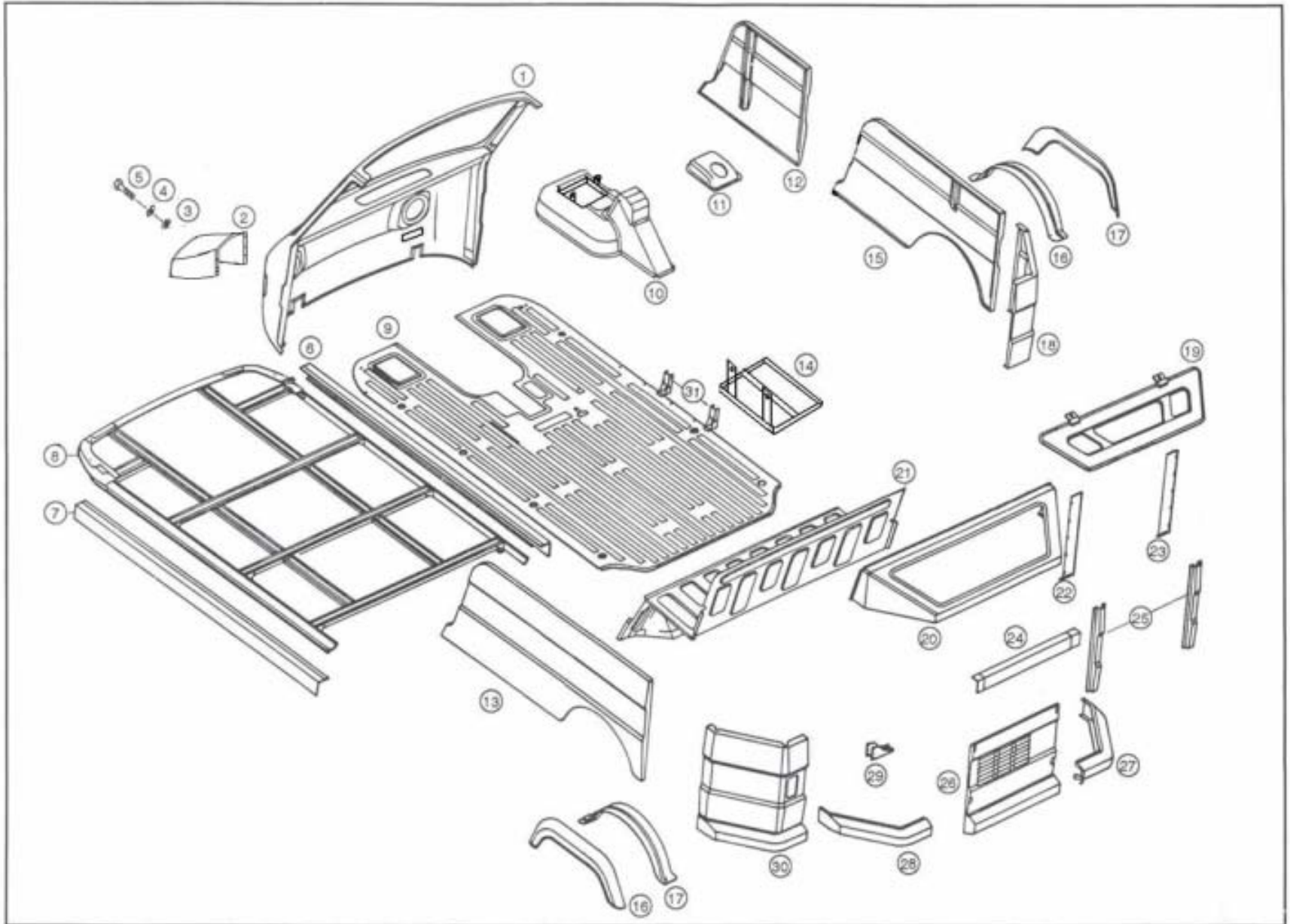
Diagram No-40

| Fig No. | Part Code     | Description                         | Qty. | Fig No. | Part Code     | Description           | Qty. |
|---------|---------------|-------------------------------------|------|---------|---------------|-----------------------|------|
| 1       | B008525420862 | Instrument Plate                    | 1    | 21      | No Code       | Fuse Box assly.       | 1    |
| 2       | B008529871630 | Edge Guard                          | 1    | 22      | B008705450134 | Fuse (10 Amps.)       | 8    |
| 3       | B008525420306 | Speedometer Assly. 1 : 1.60         | 1]   | 23      | B008525408605 | Main Harness- 3+D LHD | 1    |
| 4       | A000024050752 | Electrical Temperature Gauge        | 1    | 24      | B008556800014 | Glove Box Assembly    | -    |
| 5       | A000004505552 | Warning Lamp - 2 W.                 | 1    | 25      | B008556800084 | Glove Box Lock        | -    |
| 6       | B008525420307 | Speedo Meter Cable -- (3+D) - LHD   | 1    |         |               |                       |      |
| 7       | T006865450290 | Indicator Lamp for Bright Light     | 1    |         |               |                       |      |
| 8       | T006865450090 | Indicator Lamp for Oil Pressure     | 1    |         |               |                       |      |
| 9       | T006865450190 | Indicator Lamp for Charging Control | 1    |         |               |                       |      |
| 10      | T006865450490 | Indicator Lamp for Side Indicator   | 1    |         |               |                       |      |
| 11      | B008755450090 | Indicator Lamp - Air Warn           | 1    |         |               |                       |      |
| 12      | T006865450390 | Indicator Lamp for Brake Fluid      | 1    |         |               |                       |      |
| 13      | A000092505000 | Plain Washer M5                     | 1    |         |               |                       |      |
| 14      | A000090905012 | Cheese Head Screw                   | 1    |         |               |                       |      |
| 15      | A000024050092 | Starter Switch                      | 1    |         |               |                       |      |
| 16      | B008525451824 | Combination Switch - LHD            | 1    |         |               |                       |      |
| 18      | B008523013150 | Stopper Cable with Knob - 4+D LHD   | 1    |         |               |                       |      |
| 19      | B008523002485 | Extra Fuel Device Cable             | 1    |         |               |                       |      |
| -       | B008523001385 | Extra Fuel Device Cable             | -    |         |               |                       |      |
| 20      | A000024050762 | Wiper Switch                        | 1    |         |               |                       |      |

**KHANEJA MOTORS,  
DELHI, INDIA**

**Mob: +919999679888**

Email id : khanejamotors@gmail.com



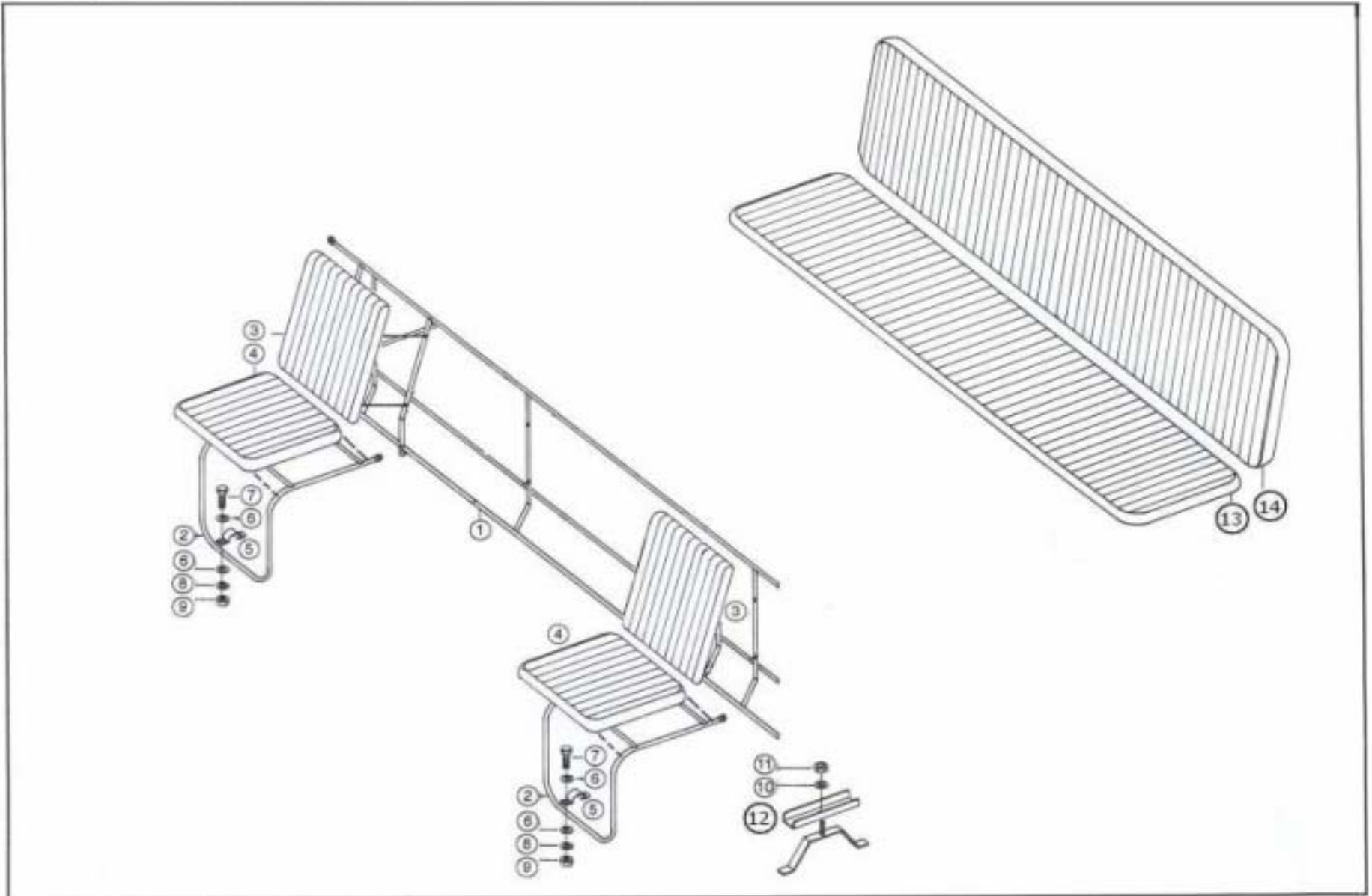
**BODY ASSEMBLY- A/R- SMALL PASSANGER**

Diagram No-42

| Fig No. | Part Code     | Description                          | Qty. | Fig No. | Part Code     | Description                    | Qty. |
|---------|---------------|--------------------------------------|------|---------|---------------|--------------------------------|------|
| 1       | B008526208202 | Front Panel Assly New LHD            | 1    | 20      | B268526320002 | Top hat Section rear           | 1    |
| -       | B008529872930 | Sealing Rubber for front wheel cover | 1    | 21      | B008526470919 | BACK REST PANEL AR 3 + D       | 1    |
| 2       | B008526650109 | Front wheel cover                    | 1    | 22      | B008526420043 | Cover Plate for Rear Pillar LH | 1    |
| 3       | A000092506000 | Plain washer                         | 8    | 23      | B008526420143 | Cover plate RH                 | 1    |
| 4       | A000090306014 | Hex Head stud M6 X 15                | 8    | 24      | B008526420310 | Rear Cross Member              | 1    |
| -       | A000099130021 | Nyloc nut M6 X 1                     | 8    | 25      | B008526420002 | Rear pillar LH                 | 1    |
| 6       | B008526111120 | Floor Frame Front RH LHD             | 1    | 26      | B008526400625 | Rear Flap Assy                 | 1    |
| 7       | B008526111020 | Floor Frame Front LH LHD             | 1    | 27      | B008528800603 | Side Bumper Assy RH            | 1    |
| 8       | B008526106920 | Floor Frame Assy Compl 3 + D A/R LHD | 1    | 28      | B008528800503 | Side Bumper Assy LH            | 1    |
| 9       | B008526100462 | Floor Panel Assy 3 + D LHD           | 1    | 29      | B008528910341 | Body Mounting Bracket Rear     | 1    |
| 10      | B008526192007 | Rear Cover for Wheel Hood IDI        | 1    | 30      | B008526400219 | Rear Panel Assy LH             | 1    |
| 11      | -             | Hump                                 | 1    |         |               |                                |      |
| 12      | B008526373719 | Side Panel Front RH 3+D LHD          | 1    |         |               |                                |      |
| 13      | B008526305501 | Side Wall Assy LH MDOR 3+ D A/R LHD  | 1    |         |               |                                |      |
| 14      | B008528800413 | Foot Step                            | 1    |         |               |                                |      |
| 15      | B008526371019 | Side Panel Rear RH LHD               | 1    |         |               |                                |      |
| 16      | B008526650009 | Wheel Arch                           | 1    |         |               |                                |      |
| 17      | B008526300240 | Mudguard Assy. LH                    | 1    |         |               |                                |      |
| 18      | B008526400319 | Rear Panel Assy RH                   | 1    |         |               |                                |      |
| 19      | B008526400425 | Engine hood Lid Assy                 | 1    |         |               |                                |      |

**KHANEJA MOTORS****DELHI, INDIA****Mob: +919999679888**

Email id : khanejamotors@gmail.com



| <b>SEATS, SPARE WHEEL CARRIER</b> |                 |                                     |             | <b>Diagram No-45</b> |  |  |  |
|-----------------------------------|-----------------|-------------------------------------|-------------|----------------------|--|--|--|
| <b>Fig No</b>                     | <b>Code No.</b> | <b>Material Description</b>         | <b>Qty.</b> |                      |  |  |  |
| 1                                 | B008529102320   | Driver & Co driver Back rest assly. | 1           |                      |  |  |  |
| 2                                 | B008529101420   | Driver Seat Frame LHD               | 2           |                      |  |  |  |
| 3                                 | B008529100132   | Driver Back Rest                    | 2           |                      |  |  |  |
| 4                                 | B008529100050   | Driver Seat Rest                    | 2           |                      |  |  |  |
| 5                                 | -               | Clamp                               | 2           |                      |  |  |  |
| 6                                 | A000092508000   | Plain Washer M8                     | 32          |                      |  |  |  |
| 7                                 | A000090308026   | Hex Head Screw M8 X 25              | 4           |                      |  |  |  |
| 8                                 | A000092708000   | Spring Washer B8                    | 20          |                      |  |  |  |
| 9                                 | A000092108130   | Hex. Nut M8 X 1.25                  | 20          |                      |  |  |  |
| 10                                | A000092512000   | Plain Washer M12                    | 1           |                      |  |  |  |
| 11                                | A000092112177   | Hex Nut                             | 1           |                      |  |  |  |
| 12                                | B0085247030012  | Angle For Spare Wheel Mounting      | 1           |                      |  |  |  |
| 13                                | B008529200021   | Passenger Seat Rest Rear            | 1           |                      |  |  |  |
| 14                                | B008529500171   | Passenger Back Rest Rear            | 1           |                      |  |  |  |

**KHANEJA MOTORS****DELHI, INDIA****Mob: +919999679888**

Email id : khanejamotors@gmail.com



Incase of any assistance, please contact us as follows:

**KHANEJA MOTORS**

1004, HAMILTON ROAD, KASHMERE GATE,

DELHI - 110006. INDIA

---

Mob: +91 9999679888 / +919871102314

E-mail ID : [khanejamotors@gmail.com](mailto:khanejamotors@gmail.com)